

### ClaytonGO: Foundation Plan Summary

Order Number: **N/A**  
 Model Number: **941-VIS32784B**  
 Home Building Facility: **941**

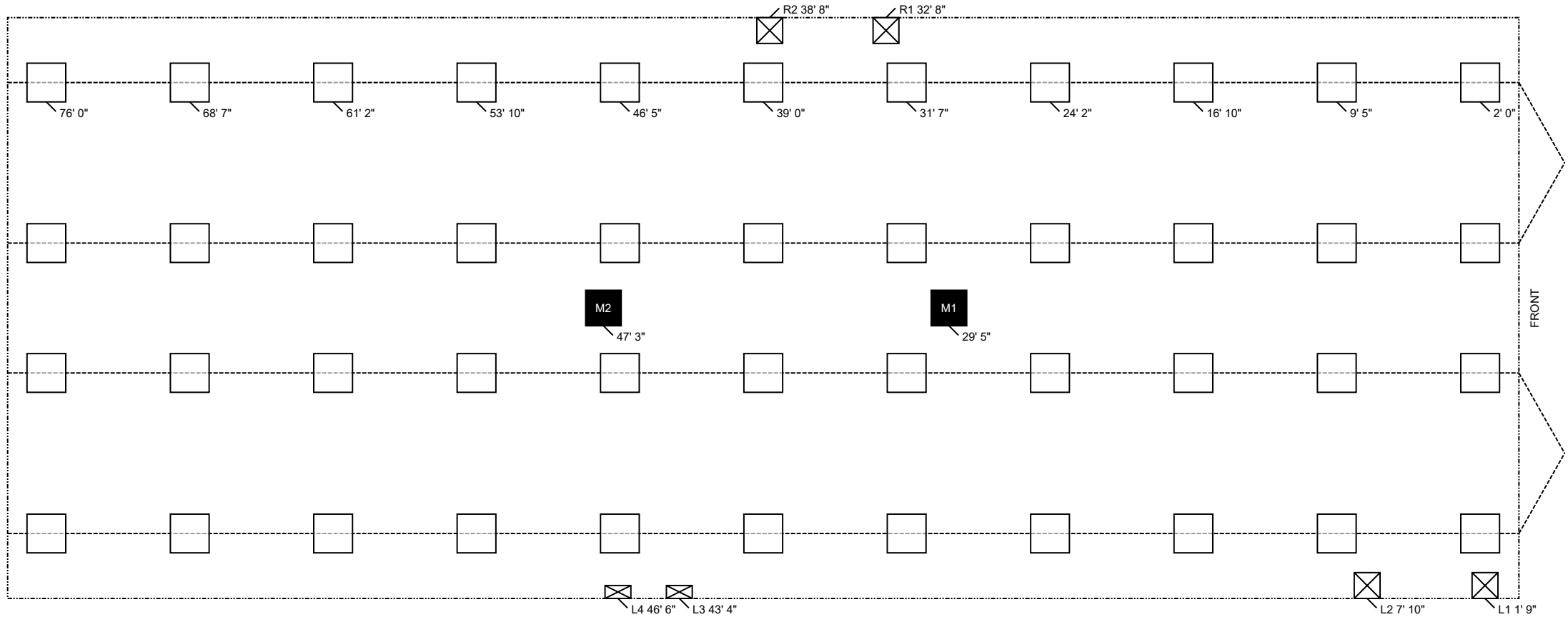
Home Width: **30 FT 0 IN**  
 Home Length: **78 FT 0 IN**  
 Outrigger Length (O.R.): **40.25 IN**  
 Chassis Spacing: **99.5 IN**

Roof Load: **20 PSF**  
 Soil Bearing Cap: **1500 PSF**  
 Min. I-Beam Size: **8 IN**  
 Calculated Eave/Overhang: **12 IN**

Use this QR Code to access DAPIA approved tables referenced within this design. Hover your iPhone camera over the code. For Android and other devices, download a QR Code reader.  
**Questions? Email [sitecompletionq&a@claytonhomes.com](mailto:sitecompletionq&a@claytonhomes.com)**



<p> <b>TABLE 1: FRAME PIERS</b></p> <p><b>Pier Spacing</b>                  TYP. 7 FT 5 IN                  MAX. 8 FT 0 IN                  (Table 6b)</p> <p><b>Pier Configuration</b>                  Single stacked                  Single stacked</p> <p><b>Footer Size</b>                  24 IN x 24 IN x 8 IN                  24 IN x 24 IN x 8 IN</p>	<p> <b>TABLE 2: EXTERIOR PIERS</b></p> <p><b>Pier ID</b>                  L1, L2                  L3, L4                  R1, R2                  (Table 6d)</p> <p><b>Pier Configuration</b>                  Single stacked                  Single stacked                  Single stacked</p> <p><b>Footer Size</b>                  16 IN x 16 IN x 6 IN                  8 IN x 16 IN x 6 IN                  16 IN x 16 IN x 6 IN</p>	<p> <b>TABLE 3: MARRIAGE WALL PIERS</b></p> <p><b>Pier ID</b>                  M1, M2                  (Table 5c)</p> <p><b>Pier Configuration</b>                  Single stacked</p> <p><b>Footer Size</b>                  22 IN x 22 IN x 7 IN</p>
---	--	--



**NOTES:**

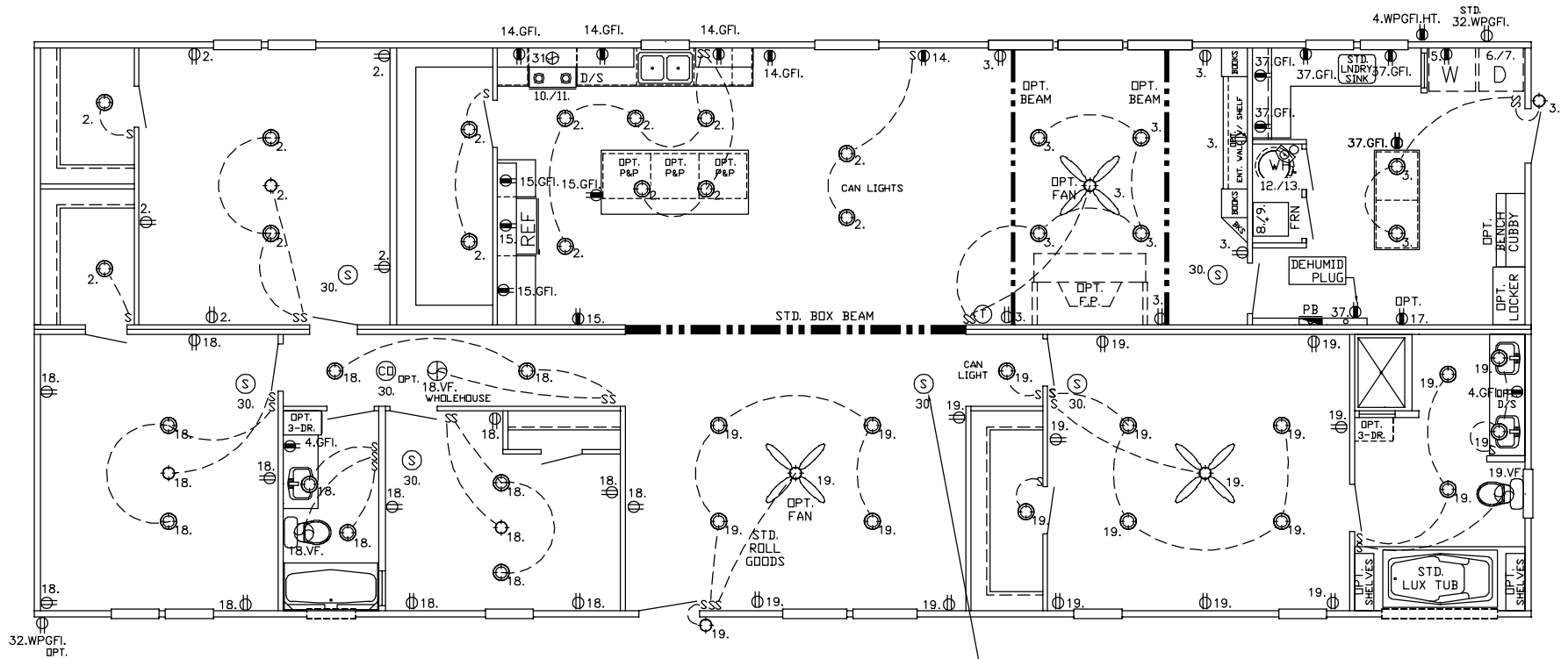
- FROST PROTECTION WILL BE PROVIDED BY PLACING FOOTERS BELOW FROST DEPTH OF 36 INCHES PER (FIGURE 5A) OR FROM LAHJ. Frost depth for interior footers may be taken as half with R5 skirting per (Table 4a) [3285.312(b)]
- SIDEWALL PIERS SHALL BE PLACED AT EXTERIOR DOORS AND WINDOW OPENINGS GREATER THAN 48" PER TABLE 2.
- ALL FOOTERS WILL BE POURED CONCRETE. ALL SINGLE STACKED PIERS WILL HAVE A MINIMUM FOOTER THICKNESS OF 8 INCHES with footer depth extending below frost depth using 3,000 PSI minimum concrete (table 10A) (table 8)
- THIS PIER LAYOUT HAS BEEN DERIVED USING PE SEALED & DAPIA APPROVED INSTALLATION MANUAL AS OUTLINED ABOVE. PLEASE SEE INSTALLATION MANUAL FOR PE SEAL AND DAPIA APPROVAL. (Reference to Clayton Homes DAPIA approved Installation manual) [Reference to Federal Statutes 24 CFR Part 3280, 3285 or 3286]



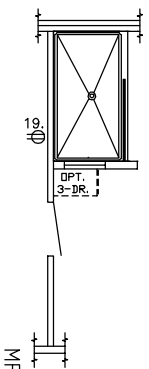
08/02/2023  
3:40PM

CARBON MONOXIDE (CO) ALARMS ARE ONLY REQUIRED WHEN ONE OR MORE OF THE FOLLOWING ARE PROVIDED BY THE HOME BUILDING FACILITY (HBF):

1. THE HOME IS EQUIPPED WITH A FUEL BURNING APPLIANCE INSTALLED AT THE HBF.
2. THE HOME HAS BEEN DESIGNED FROM THE HBF FOR AN ATTACHED GARAGE ADDITION.
3. THE HOME HAS BEEN DESIGNED FROM THE HBF WITH A BASEMENT ACCESS THROUGH THE FLOOR.



REQUIRED TO BE SMOKE/CARBON MONOXIDE ALARM COMBO UNIT WHEN FUEL BURNING APPLIANCES ARE OPTIONED IN



MP-32.VIS32784B2

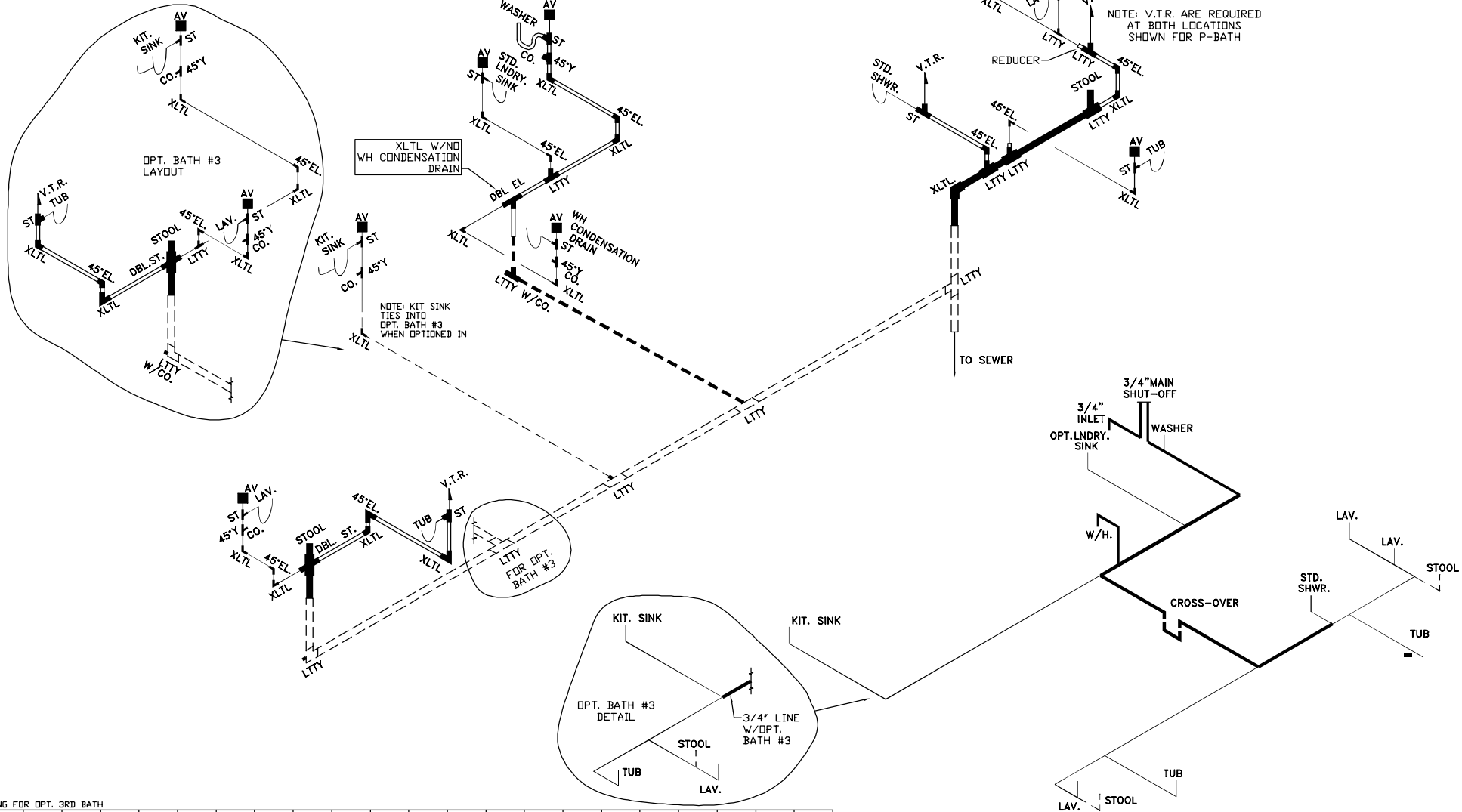
REF. EL-24 FOR NOTES & CIRCUITS  
REF. PLN-11 FOR GENERAL NOTES  
● = RECEP. = 20AMP CIRCUIT = 12-2 WIRE (CIRCUITS BELOW)  
CIRCUIT 37.

C:\ACAD\DDL-ZERO\VIS32784B.dwg  
**SOUTHERN HOMES**  
MODEL VIS32784B-78-4/32X78

08/02/2023

3:40PM

# DRAIN LINES



MP-32.VIS32784B.3

OPT. LOOSE PLUMBING FOR OPT. 3RD BATH

LOOSE PLUMBING FOR FIELD INSTALL	SIZE	3'	3'	3'	3'	3-1.5	3x3x2	3'	3-2	2'	2'	2'	2'	2'	2-1.5	1 1/2	1 1/2	1 1/2	1 1/2	CLEAN	CD.
ITEM	LTTY	XLTL	COUP	DBL.EL.	ST	REDUC	LTTY	PIPE	REDUC	LTTY	XLTL	COUP	PIPE	ST	REDUC	LTTY	XLTL	COUP	PIPE	OUT	PLUG
QTY.	4		4			2	2	90'		1		2	30'		1					3	3

STD. LOOSE PLUMBING FOR FIELD INSTALL	SIZE	3'	3'	3'	3'	3-1.5	3x3x2	3'	3-2	2'	2'	2'	2'	2'	2-1.5	1 1/2	1 1/2	1 1/2	1 1/2	CLEAN	CD.
ITEM	LTTY	XLTL	COUP	DBL.EL.	ST	REDUC	LTTY	PIPE	REDUC	LTTY	XLTL	COUP	PIPE	ST	REDUC	LTTY	XLTL	COUP	PIPE	OUT	PLUG
QTY.	2		2			1	2	80'		1		2	30'		2						2

= 1 1/2" #	= 2" #	= 3" #	FOR DRAIN LINES
= 1 1/2" #	= 2" #	= 3" #	FOR ON-SITE DRAIN LINES
= 1/2" #	= 3/4" #	= COLD ONLY	FOR WATER LINES

DRAIN. & WATER PIPING  
 TYP. NOTE: DWGS. NOT TO SCALE  
 TYP. NOTE FOR DRAIN LINES:  
 STOOL TRAP ARM LESS THAN 6'-0"  
 DASHED LINES ARE FIELD INSTALLED

TYP. NOTES: REFER TO PLN-11 FOR GEN. NOTES  
 SEE DAPIA FOR ANY DETAILS NOT SHOWN  
 ON DRAWINGS.

TYP. NOTE FOR WATER LINES:  
 COLD AS SHOWN.  
 FOR HOT LINES DELETE  
 STOOL INLET & SHUTOFF

C:\ACAD\DDL-ZERO\VIS32784B.dwg

21.25' MDL 3/4  
 56.083' MDL 1/2  
 0.91 VOL (GAL)

**SOUTHERN HOMES**  
 MODEL VIS32784B-78-4/32X78