

### ClaytonGO: Foundation Plan Summary

Order Number: **N/A**  
 Model Number: **995-5628-5787**  
 Home Building Facility: **995**

Home Width: **26 FT 4 IN**  
 Home Length: **56 FT 0 IN**  
 Outrigger Length (O.R.): **29.24 IN**  
 Chassis Spacing: **99.5 IN**

Roof Load: **30 PSF**  
 Soil Bearing Cap: **1500 PSF**  
 Min. I-Beam Size: **12 IN**  
 Calculated Eave/Overhang: **12 IN**

Use this QR Code to access DAPIA approved tables referenced within this design. Hover your iPhone camera over the code. For Android and other devices, download a QR Code reader.  
**Questions? Email [sitecompletionq&a@claytonhomes.com](mailto:sitecompletionq&a@claytonhomes.com)**



**○ TABLE 1: FRAME PIERS**

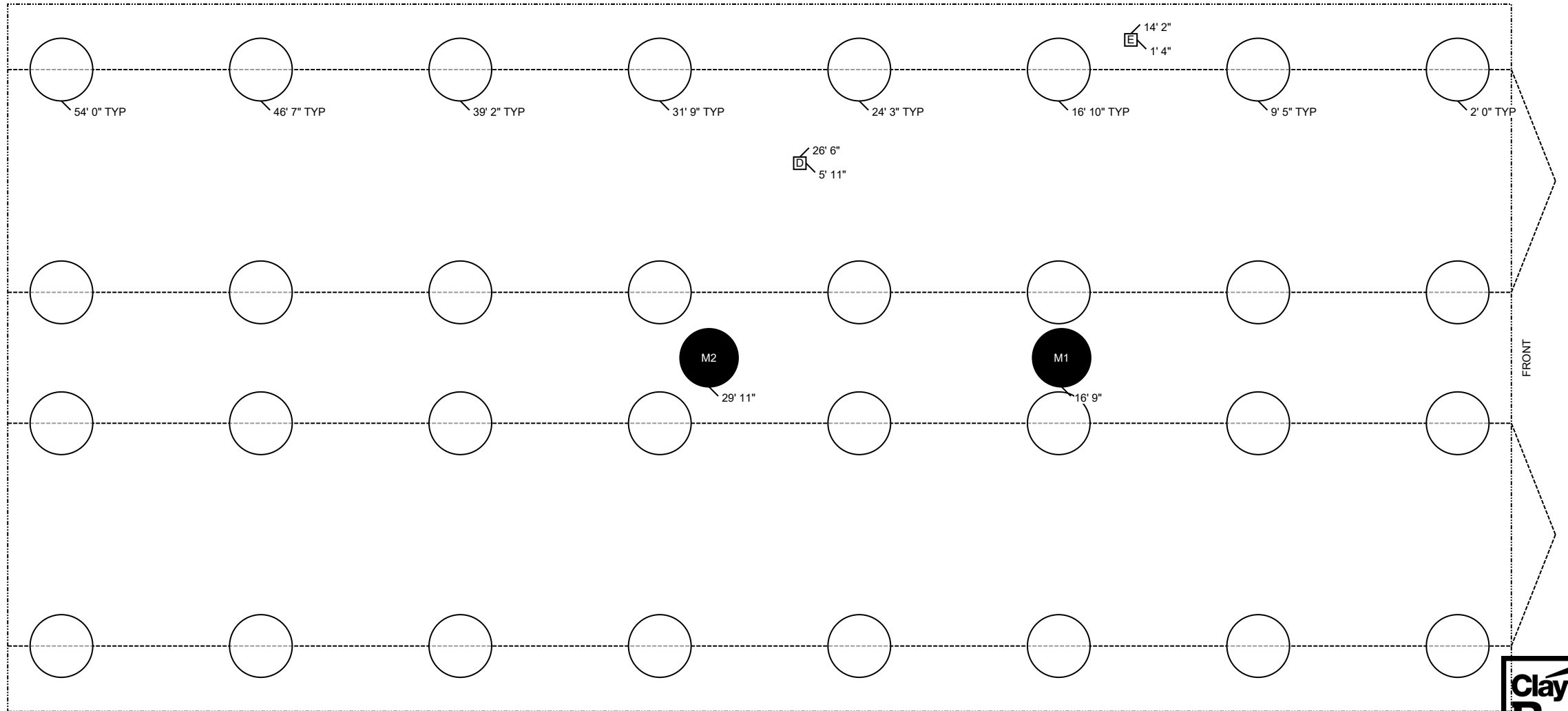
Pier Spacing	Pier Configuration	Footer Size
TYP. 7 FT 5 IN	Single stacked	28 IN Diameter x 10 IN
MAX. 8 FT 0 IN	Single stacked	28 IN Diameter x 10 IN

(Table 7)

**● TABLE 3: MARRIAGE WALL PIERS**

Pier ID	Pier Configuration	Footer Size
M1, M2	Single stacked	26 IN Diameter x 9 IN

(Table 6)



### ClaytonGO: Foundation Plan Summary

Order Number: **N/A**  
Model Number: **995-5628-5787**  
Home Building Facility: **995**

Home Width: **26 FT 4 IN**  
Home Length: **56 FT 0 IN**  
Outrigger Length (O.R.): **29.24 IN**  
Chassis Spacing: **99.5 IN**

Roof Load: **30 PSF**  
Soil Bearing Cap: **1500 PSF**  
Min. I-Beam Size: **12 IN**  
Calculated Eave/Overhang: **12 IN**

Use this QR Code to access DAPIA approved tables referenced within this design. Hover your iPhone camera over the code. For Android and other devices, download a QR Code reader. **Questions? Email [sitecompletionqa@claytonhomes.com](mailto:sitecompletionqa@claytonhomes.com)**



UTILITIES		LOCATION	
ID	UTILITY	LEFT	DOWN
D	Drain Drop	26 FT 6 IN	5 FT 11 IN
E	Elec Entrance	14 FT 2 IN	1 FT 4 IN

**NOTES:**

1. FROST PROTECTION WILL BE PROVIDED BY PLACING FOOTERS BELOW FROST DEPTH OF 35 INCHES PER (FIGURE 5A) OR FROM LAHJ. Frost depth for interior footers may be taken as half with R5 skirting per (Table 5) [3285.312(b)]
2. HOME HAS BEEN BUILT WITH ADDITIONAL FLOOR JOIST AT SIDEWALL OPENINGS TO ELIMINATE NEED OF SIDEWALL PIERS. SIDEWALL PIERS SHALL BE PLACED WHERE INDICATED BY PIER TAGS ON HOME.
3. ALL FOOTERS WILL BE POURED CONCRETE. ALL SINGLE STACKED PIERS WILL HAVE A MINIMUM FOOTER THICKNESS OF 10 INCHES with footer depth extending below frost depth using 3,000 PSI minimum concrete (table 12) (table 10)
4. THIS PIER LAYOUT HAS BEEN DERIVED USING PE SEALED & DAPIA APPROVED INSTALLATION MANUAL AS OUTLINED ABOVE. PLEASE SEE INSTALLATION MANUAL FOR PE SEAL AND DAPIA APPROVAL. (Reference to Clayton Homes DAPIA approved Installation manual) [Reference to Federal Statutes 24 CFR Part 3280, 3285 or 3286]

