

ClaytonGO: Foundation Plan Summary

Order Number: **N/A**
 Model Number: **995-5628-CC52 Compass**
 Home Building Facility: **995**

Home Width: **26 FT 4 IN**
 Home Length: **56 FT 0 IN**
 Outrigger Length (O.R.): **29.24 IN**
 Chassis Spacing: **99.5 IN**

Roof Load: **30 PSF**
 Soil Bearing Cap: **2000 PSF**
 Min. I-Beam Size: **12 IN**
 Calculated Eave/Overhang: **12 IN**

Use this QR Code to access DAPIA approved tables referenced within this design. Hover your iPhone camera over the code. For Android and other devices, download a QR Code reader.
Questions? Email sitecompletionq&a@claytonhomes.com

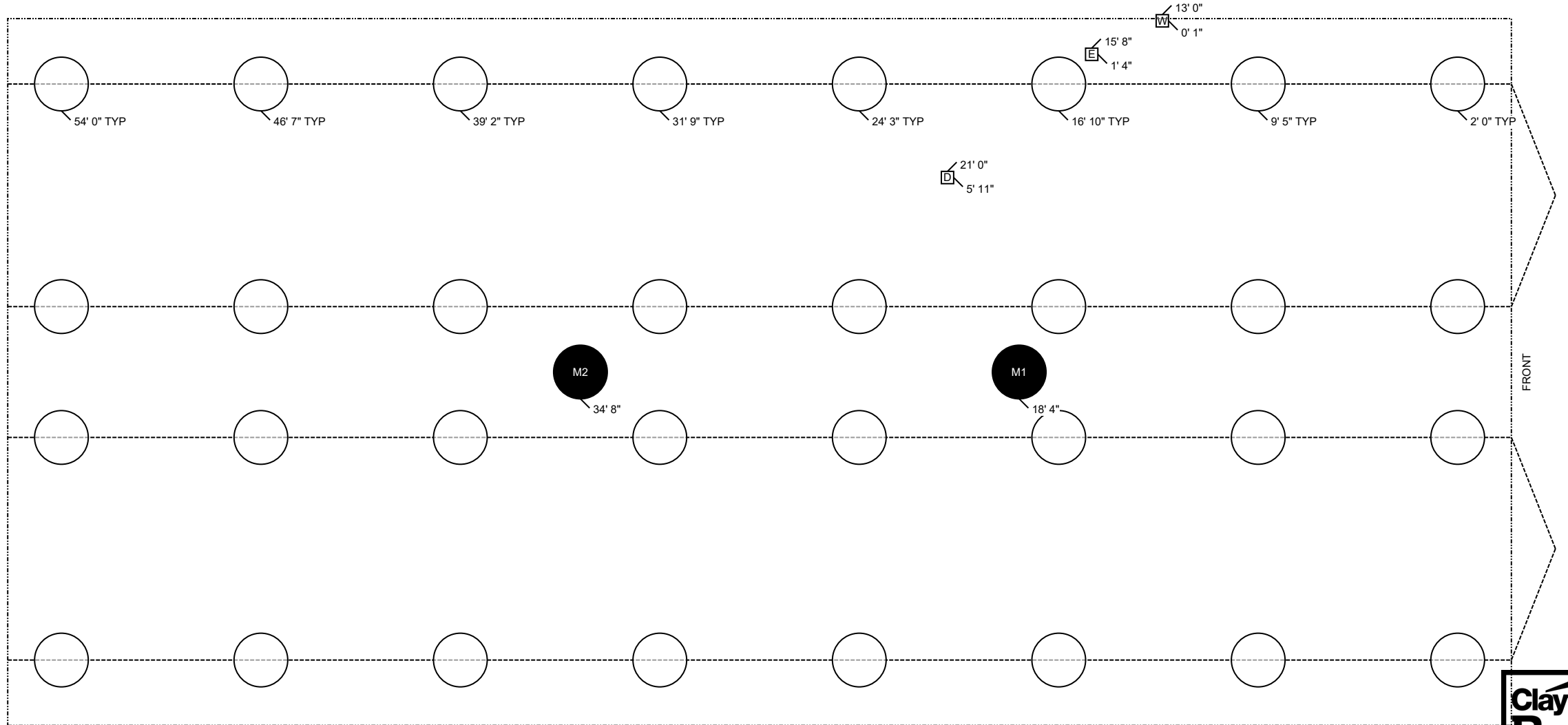


| TABLE 1: FRAME PIERS | | |
|----------------------|--------------------|-----------------------|
| Pier Spacing | Pier Configuration | Footer Size |
| TYP. 7 FT 5 IN | Single stacked | 24 IN Diameter x 8 IN |
| MAX. 8 FT 0 IN | Single stacked | 24 IN Diameter x 8 IN |

(Table 7)

| TABLE 3: MARRIAGE WALL PIERS | | |
|------------------------------|--------------------|-----------------------|
| Pier ID | Pier Configuration | Footer Size |
| M1, M2 | Single stacked | 24 IN Diameter x 8 IN |

(Table 6)



ClaytonGO: Foundation Plan Summary

Order Number: **N/A**
Model Number: **995-5628-CC52 Compass**
Home Building Facility: **995**

Home Width: **26 FT 4 IN**
Home Length: **56 FT 0 IN**
Outrigger Length (O.R.): **29.24 IN**
Chassis Spacing: **99.5 IN**

Roof Load: **30 PSF**
Soil Bearing Cap: **2000 PSF**
Min. I-Beam Size: **12 IN**
Calculated Eave/Overhang: **12 IN**

Use this QR Code to access DAPIA approved tables referenced within this design. Hover your iPhone camera over the code. For Android and other devices, download a QR Code reader. **Questions? Email sitecompletionq&a@claytonhomes.com**



| UTILITIES | | LOCATION | |
|-----------|---------------|------------|------------|
| ID | UTILITY | LEFT | DOWN |
| D | Drain Drop | 21 FT 0 IN | 5 FT 11 IN |
| E | Elec Entrance | 15 FT 8 IN | 1 FT 4 IN |
| W | Water Inlet | 13 FT 0 IN | 0 FT 1 IN |

NOTES:

1. FROST PROTECTION WILL BE PROVIDED BY PLACING FOOTERS BELOW FROST DEPTH OF 35 INCHES PER (FIGURE 5A) OR FROM LAHJ. Frost depth for interior footers may be taken as half with R5 skirting per (Table 5) [3285.312(b)]
2. HOME HAS BEEN BUILT WITH ADDITIONAL FLOOR JOIST AT SIDEWALL OPENINGS TO ELIMINATE NEED OF SIDEWALL PIERS. SIDEWALL PIERS SHALL BE PLACED WHERE INDICATED BY PIER TAGS ON HOME.
3. ALL FOOTERS WILL BE POURED CONCRETE. ALL SINGLE STACKED PIERS WILL HAVE A MINIMUM FOOTER THICKNESS OF 8 INCHES with footer depth extending below frost depth using 3,000 PSI minimum concrete (table 12) (table 10)
4. THIS PIER LAYOUT HAS BEEN DERIVED USING PE SEALED & DAPIA APPROVED INSTALLATION MANUAL AS OUTLINED ABOVE. PLEASE SEE INSTALLATION MANUAL FOR PE SEAL AND DAPIA APPROVAL. (Reference to Clayton Homes DAPIA approved Installation manual) [Reference to Federal Statutes 24 CFR Part 3280, 3285 or 3286]

