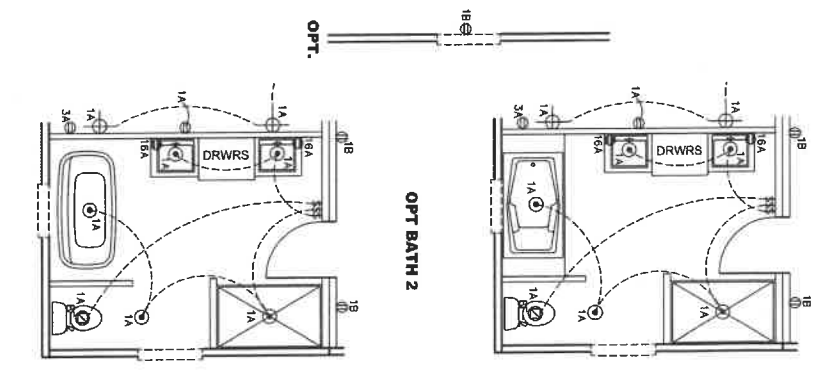
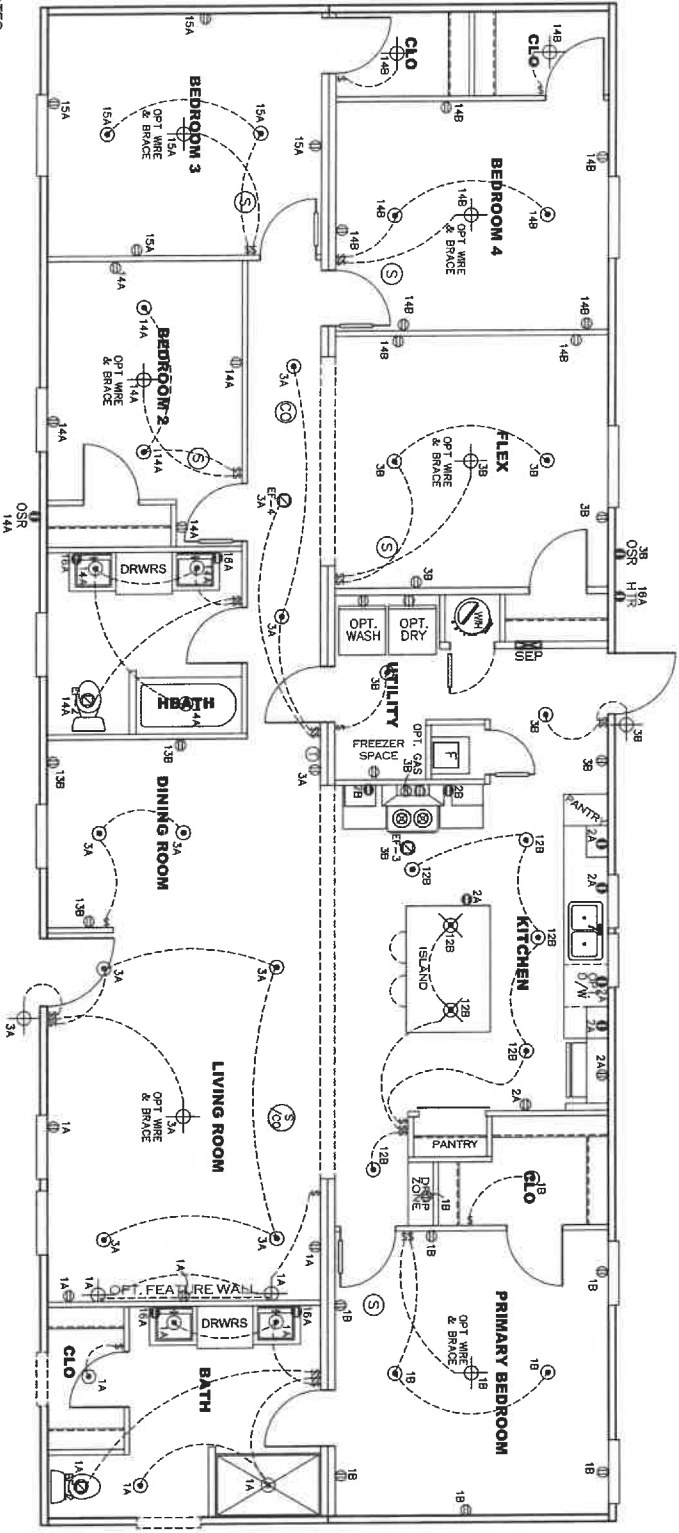
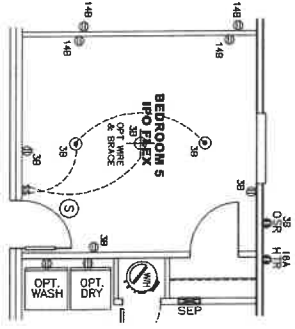
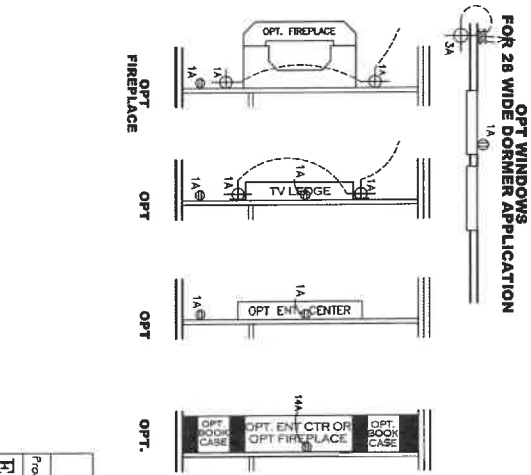


| CIRCUIT | CIRCUIT # | WIRE | BREAKER | CIRCUIT | CIRCUIT # | WIRE | BREAKER | CIRCUIT | CIRCUIT # | WIRE | BREAKER |
|-------------|--|-------------|---------|--------------|-------------------|-------------|------------|---------|-------------|-------|---------|
| LIGHT/RECP | 1A, 2A, 3A, 4A, 5A, 6A, 7A, 8A, 9A, 10A, 11A, 12A, 13A, 14A, 15A, 16A, 17A, 18A, 19A, 20A, 21A, 22A, 23A, 24A, 25A, 26A, 27A, 28A, 29A, 30A, 31A, 32A, 33A, 34A, 35A, 36A, 37A, 38A, 39A, 40A, 41A, 42A, 43A, 44A, 45A, 46A, 47A, 48A, 49A, 50A, 51A, 52A, 53A, 54A, 55A, 56A, 57A, 58A, 59A, 60A, 61A, 62A, 63A, 64A, 65A, 66A, 67A, 68A, 69A, 70A, 71A, 72A, 73A, 74A, 75A, 76A, 77A, 78A, 79A, 80A, 81A, 82A, 83A, 84A, 85A, 86A, 87A, 88A, 89A, 90A, 91A, 92A, 93A, 94A, 95A, 96A, 97A, 98A, 99A, 100A | 14-2 | 15-SP | WATER HEATER | 4A, 6A | SEE NOTE #8 | BATHROOM | 16A | 12-2 | 20-SP | |
| KITCHEN/RNG | 2A, 2B, 13B | 12-2 | 20-SP | RANGE | 5B, 7A | SEE NOTE #8 | OPT O/D/SP | 9B | SEE NOTE #8 | | |
| WASHER | 12A | 12-2 | 20-SP | FURNACE | 6A, 8A, B, 10A, B | SEE NOTE #8 | OPT DRY | 11A, B | SEE NOTE #8 | | |
| DRYER | 5A, 7B | SEE NOTE #8 | | OPT D/WASH | 9A | SEE NOTE #8 | FREEZER | 13A | SEE NOTE #8 | | |



- NOTES:
- ALL CIRCUITS SHOWN ARE FOR REFERENCE AND MAY BE CHANGED BASED ON OPTIONAL COMPONENTS INSTALLED IN THE HOME.
 - REFER TO DAPIA MANUAL FOR SYMBOL CHART.
 - EITHER LIGHT OR RECEPTACLE MUST CONNECT TO SWITCH.
 - EF-1= 50 CFM EXHAUST FAN REQUIRED FOR THERMAL ZONE III THERMAL ZONES I & II MAY USE FAN OR WINDOW W/1.5 SQ. FT. OPENABLE GLASS.
 - EF-2= 50 CFM EXHAUST FAN REQUIRED THERMAL ZONE I, II, AND III.
 - EF-3= 100 CFM RANGE EXHAUST FAN, SWITCH AT HOOD.
 - EF-4= WHOLE HOUSE VENTILATION REQUIREMENTS PER DAPIA MANUAL.
 - REFER TO DAPIA MANUAL OR THE MFG. INSTALLATION INSTRUCTIONS FOR PROPER WIRE SIZE AND BREAKER SIZE FOR SPECIFIC APPLIANCE AND MODEL BEING INSTALLED.
 - ALL SMOKE ALARMS TO BE LOCATED ON THE CEILING.
 - CARBON MONOXIDE ALARMS ARE ONLY REQUIRED WHEN HOME HAS EITHER FUEL BURNING APPLIANCE, IS GARAGE READY OR ADDITIONAL INFORMATION.
 - DIMENSIONS SHOWN ON PRINT ARE APPROXIMATE AND TO BE USED ONLY AS A GUIDELINE.



APPROVED

ETWG

MAY 23 2024

REVISED

FP-28-5503

Federal Manufactured Home Construction And Safety Standards

6

1968 SQ.FT. (STD PLAN "CONDITIONED")
N/A SQ.FT. (W/OPT. PORCH/RECESS "CONDITIONED")

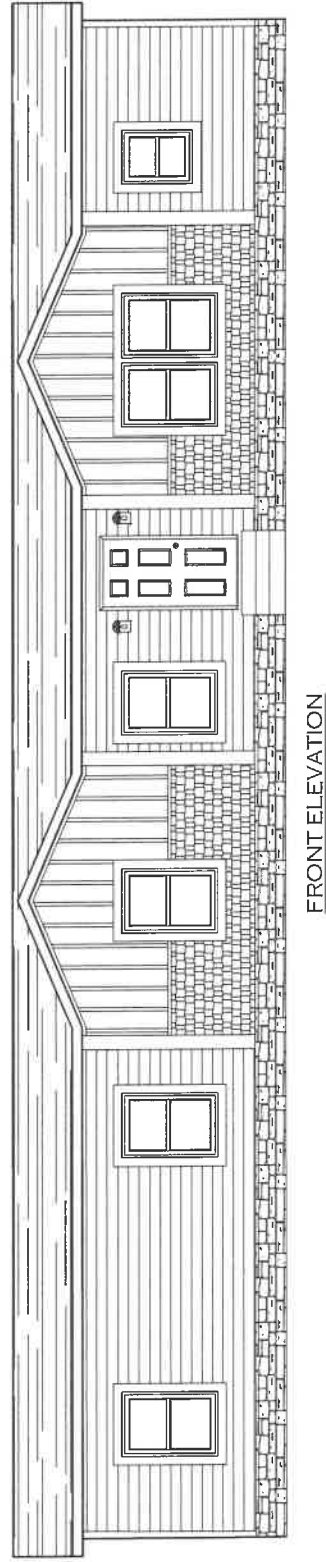
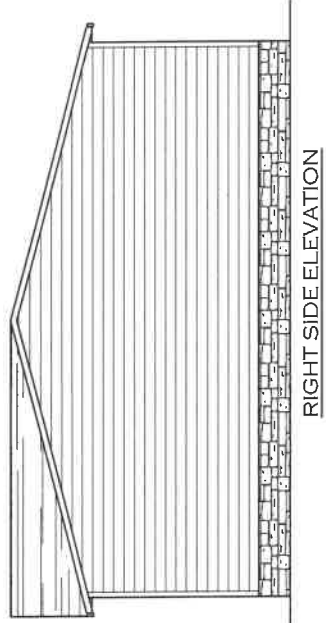
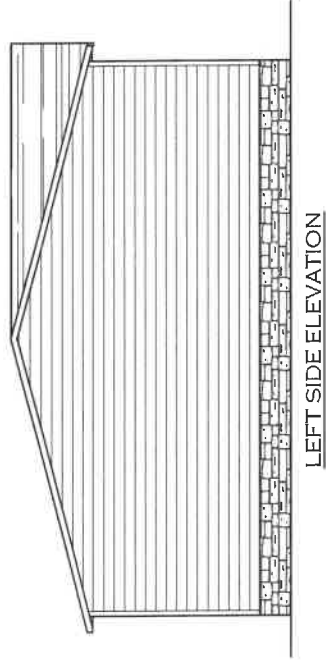
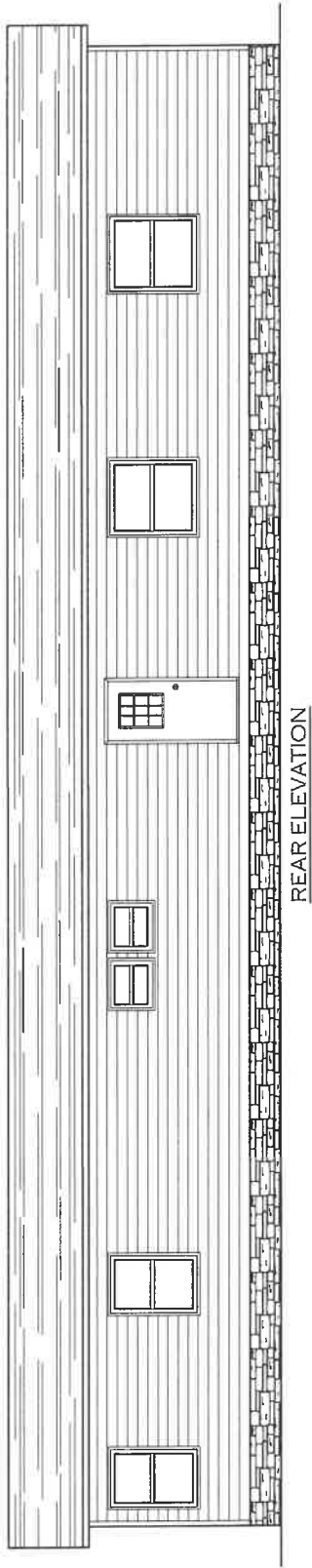
clayton Built

Product Designer: E HARDWICK

Model #: ISB28724B | Drawing #:
Date: 1/28/21 | Scale: 1/8" = 1'-0"

28 X 72 Homestead Breeze

ELECTRICAL PLAN-06



1968 SQ.FT. (STD. PLAN "CONDITIONED")
 N/A SQ.FT. (W/OPT. PORCH/RECESS "CONDITIONED")

CMH
 MANUFACTURING

Model #: 15B26724B Drawing #:

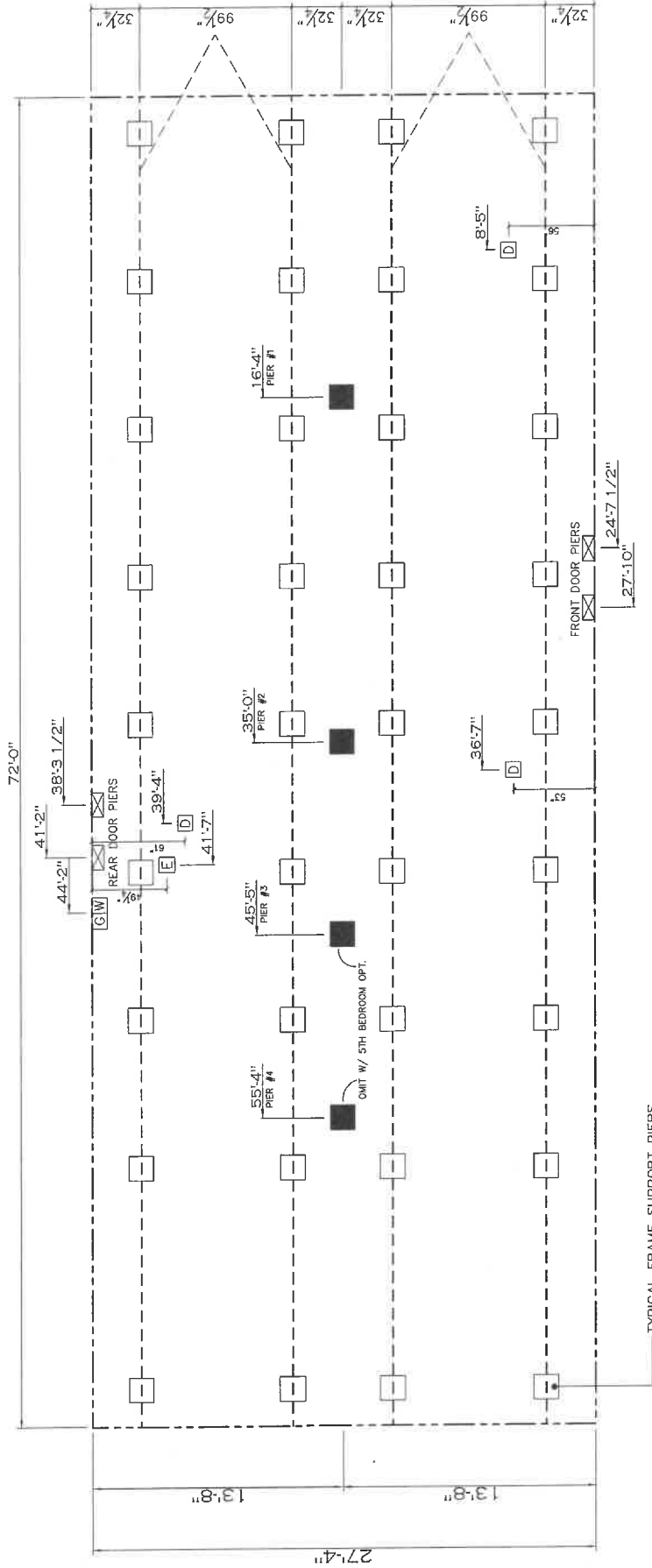
Date: 12/20/23 Scale: N/A 37M203

Product Designer: J PIPES 26 X 72 Homestead Breeze

ELEVATION

| 20 lb ROOF LOAD | | SIDEWALL OPENING (FT) | | | | | |
|----------------------------|--|-----------------------|------|------|------|------|------|
| SIDEWALL OPENING PIER LOAD | | 3 | 4 | 5 | 6 | 8 | 10 |
| 28' BOX WIDTH | | 1175 | 1330 | 1485 | 1640 | 1950 | 2260 |

*FOR 30 lb & 40 lb ROOF LOAD REFER TO TABLES 7b & 7c IN THE INSTALLATION MANUAL.



| 20 psf Roof Live Load | | |
|-----------------------|---------------------|-----------------|
| Column Pier # | Distance from Hitch | Pier Load (lbs) |
| 1 | 16.333 | 4227 |
| 2 | 35 | 4227 |
| 3 | 45.417 | 2433 |
| 4 | 55.333 | 2433 |

5TH BEDROOM OPT.

| 20 psf Roof Live Load | | |
|-----------------------|---------------------|-----------------|
| Column Pier # | Distance from Hitch | Pier Load (lbs) |
| 1 | 16.333 | 4227 |
| 2 | 35 | 4227 |

- GENERAL NOTES:
- PIER LOADS SHOWN ARE TO BE USED TO SIZE THE FOOTINGS BELOW THE MARRIAGEWALL FOR COLUMN SUPPORT PIERS. REFER TO TABLES 6b AND 6c IN THE INSTALLATION MANUAL FOR LOAD ON FRAME PIER FOOTINGS FOR HOMES THAT DO NOT REQUIRE PERIMETER BLOCKING. REFER TO TABLES 7b AND 7c IN THE INSTALLATION MANUAL FOR LOAD ON FRAME PIER FOOTINGS THAT REQUIRE PERIMETER BLOCKING. REFER TO TABLES 10 AND 10g TO DETERMINE FOOTING SIZE FOR ALL PIERS.
 - REFER TO TABLE 9 FOR PIER CONFIGURATION AND MAXIMUM ALLOWABLE HEIGHTS. CROSS REFERENCE THE PIER HEIGHT WITH THE MAXIMUM ALLOWABLE FLOOR HEIGHT LISTED IN THE FRAME TIE-DOWN CHARTS (TABLE 18, 19, AND 20). FLOOR WIDTH SHOWN IS FOR STANDARD PRODUCT ONLY. CONTACT THE MFG PLANT FOR SPECIFICATIONS OF OPTIONS ORDERED.
 - SERVICE DROP LOCATIONS IDENTIFIED ARE APPROXIMATE. THE MAXIMUM SPACING FOR FRAME SUPPORT PIERS FOR 8" I-BEAMS IS 8 FEET, 10" & 12" I-BEAMS ARE 10 FEET.

| PIER LEGEND | |
|-------------|---|
| □ | = SUPPORT UNDER MATING OPENING |
| ■ | = SUPPORT AT MATING COLUMN |
| ▨ | = SUPPORT UNDER MATING WALL |
| ▩ | = PER PORCH/RECESSED ENTRY |
| □ | = PER MAIN BEAM |
| ▭ | = PER PERIMETER |
| ● | = TIE-DOWN SUPPORT (QTY PER TBL M, SEE DETAIL D-6 IN FOUND. PKG.) |

| SERVICE DROP LEGEND | |
|---------------------|---------------------|
| ⓔ | = ELECTRICAL DROP |
| ⓓ | = WATER INLET |
| ⓓ | = DWV PLUMBING DROP |
| ⓓ | = GAS INLET |

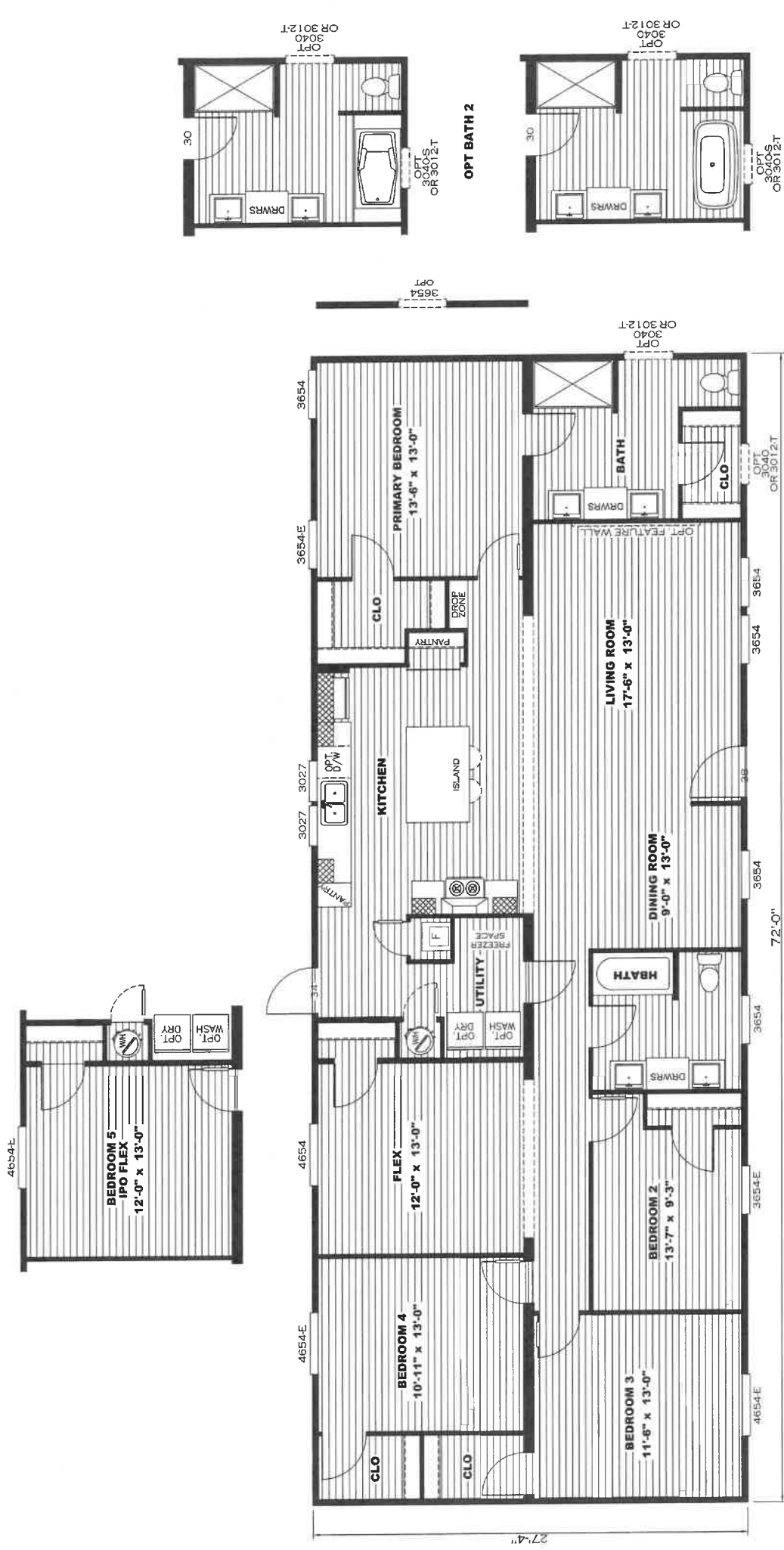
N/A SQ.FT. (W/OPT. PORCH/RECESS "CONDITIONED")
1968 SQ.FT. (STD PLAN "CONDITIONED")

Clayton Built

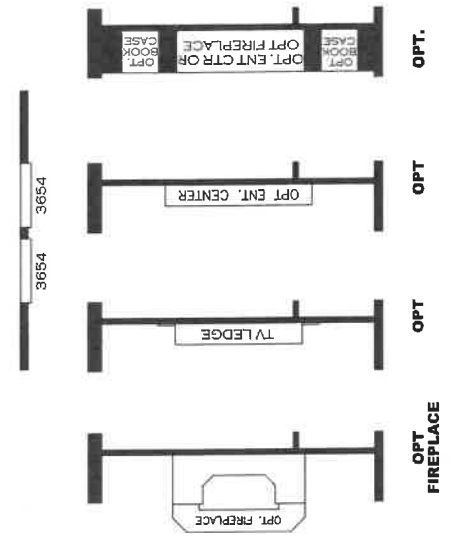
Model #: 15B20724B
Date: 2/29/21 Scale: NA
Drawing #: 37M203

Product Designer: F HARDWICK 28 X 72 Homestead Breeze

PIER LOADS



OPT WINDOWS FOR 28 WIDE DORMER APPLICATION

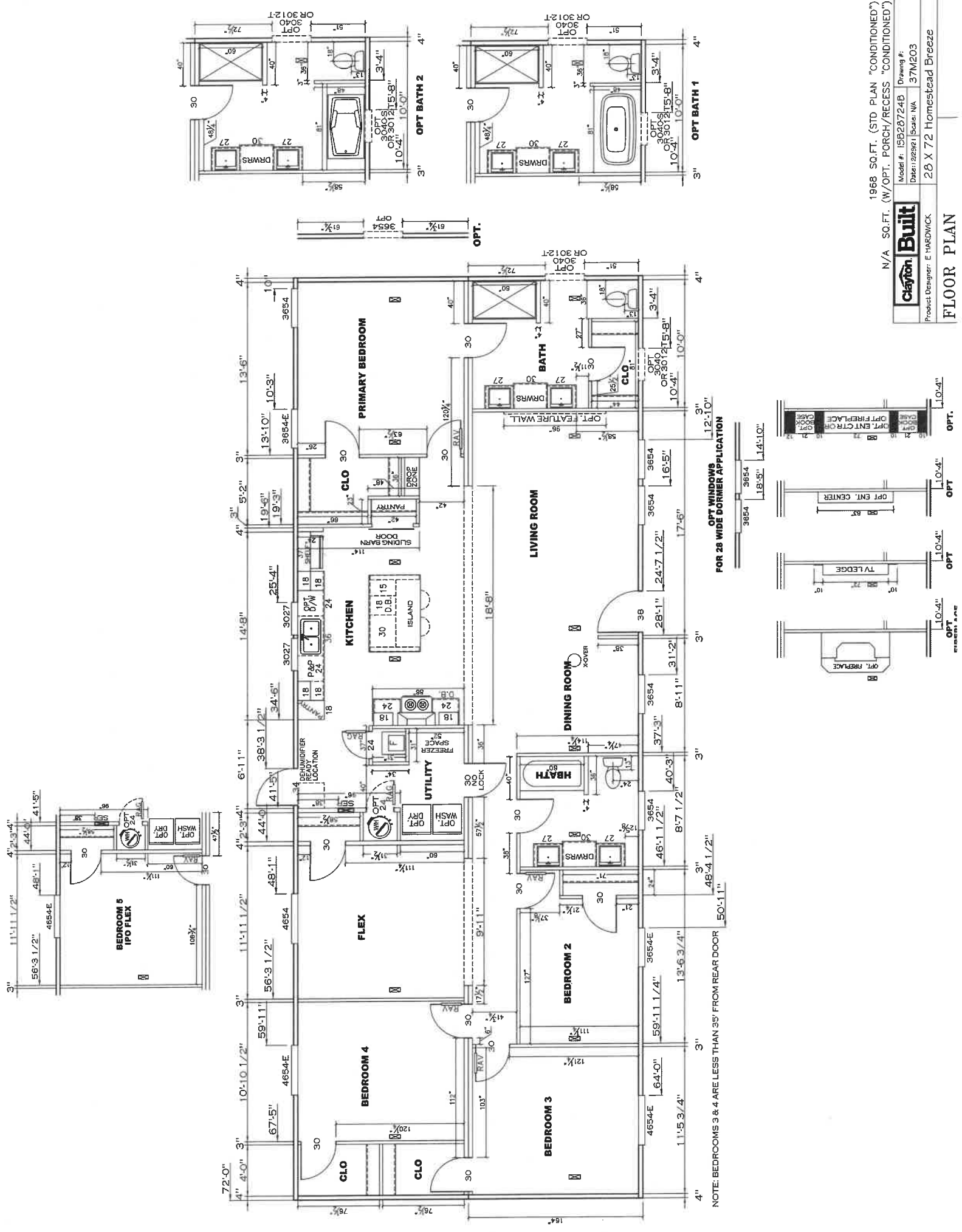


OPT BATH 2



OPT BATH 1

28 X 72 Homestead Breeze
 Model #: 15B28724B
 Drawing #:
 37M203



1968 SQ.FT. (STD PLAN "CONDITIONED")
 N/A SQ.FT. (W/OPT. PORCH/RECESS "CONDITIONED")

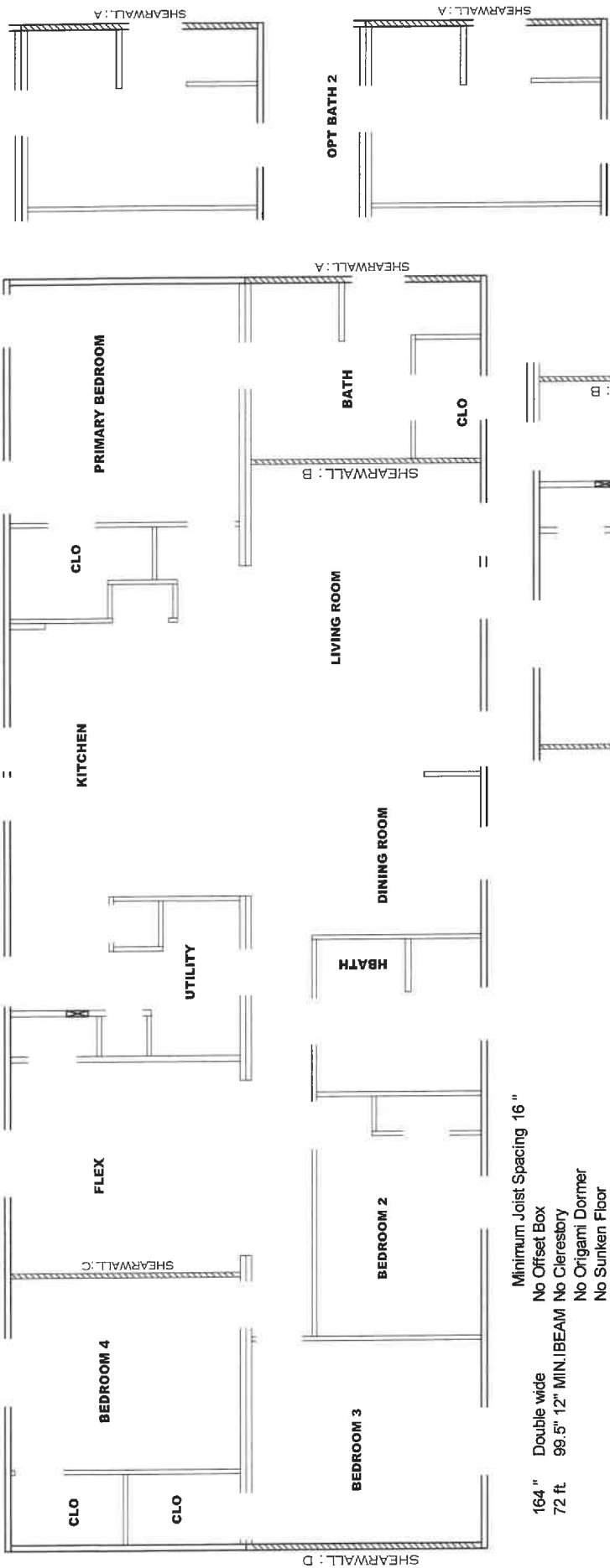


Model #: 15B28724B Drawing #: 37M203
 Date: 1/26/21 Scale: N/A

Product Designer: E HANDEWICK
 28 X 72 Homestead Breeze

FLOOR PLAN

NOTE: BEDROOMS 3 & 4 ARE LESS THAN 35' FROM REAR DOOR



Model # 37M203

- Box Width = 164"
- Box Length = 72 ft
- No Skylights
- No Porches
- Joist Size = #2 sp 2x6

Minimum Joist Spacing 16"

- Double wide
- 99.5" 12" MIN. BEAM
- No Origami Dormer
- No Sunken Floor
- No Parapet Roof

Version R14.00

| Wind Zone 1 Standard Roof | | Wind Zone 2 Standard Roof | | | | |
|---|-------------|---------------------------|-----|-------------|------|-------------------|
| Shearwall | Dist./Hitch | Length | PLF | # of Joists | Lags | Notes |
| A | 0' | 123.5" | 162 | 2 | 1/1 | 96 inch sidewall |
| B | 10.46' | 128" | 162 | 2 | 2/1 | Split Shearwall * |
| C | 56.42' | 140" | 162 | 2 | 2/1 | |
| D | 72' | 36" | 162 | 2 | 1/1 | |
| Diaphragm Construction: 7/16" Rated Sheathing and Ceiling Board with 15 ga staple @ 6/12 (286,315) Chords; 2x4 SPF #3 Top Plate spliced w/2x4 MCP & 2x3 SPF Rail spliced w/ 2x4 MCP | | | | | | |
| Block Dist. X=0' | | | | | | |
| Wind Zone 3 Standard Roof | | Wind Zone 3 Standard Roof | | | | |
| Shearwall | Dist./Hitch | Length | PLF | # of Joists | Lags | Notes |
| A | 0' | 123.5" | 162 | 2 | 1/1 | 96 inch sidewall |
| B | 10.46' | 124" | 430 | 2 | 4/1 | Split Shearwall * |
| C | 56.42' | 136" | 430 | 2 | 5/2 | |
| D | 72' | 96" | 162 | 2 | 1/1 | |
| Diaphragm Construction: 7/16" Rated Sheathing and Ceiling Board with 15 ga staple @ 6/12 (286,315) Chords; 2x4 SPF #3 Top Plate spliced w/2x4 MCP & 2x3 SPF Rail spliced w/ 2x4 MCP | | | | | | |
| Block Dist. X=0' | | | | | | |

* Denotes that indicated shearwall is over full depth/width front steel chassis header.

APPROVED

HWG

SEP 30 2025

FP-28-5503
Federal Manufactured
Home Construction
And Safety Standards

APPROVED

37m203-SW-0-N

N/A SQ.FT. (W/OPT. PORCH/RECESS "CONDITIONED")
1968 SQ.FT. (STD PLAN "CONDITIONED")

| | | |
|------------------------------|--------------------------|-------------------|
| Clayton Built | Model #: 15B28724B | Drawing #: 37M203 |
| Date: 09/17/25 | Scale: N/A | |
| Product Designer: E HARDWICK | 28 X 72 Homestead Breeze | |