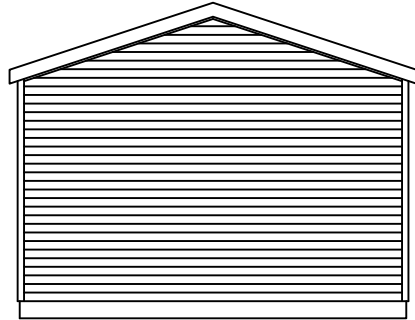




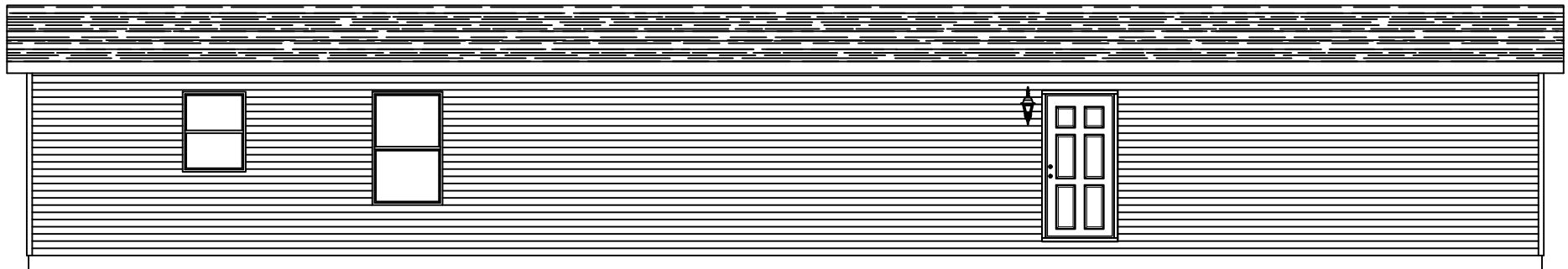
FRONT ELEVATION



LEFT ELEVATION



RIGHT ELEVATION



REAR ELEVATION

CLAYTON WAKARUSA  
 Div. of CMH Manufacturing West Inc.  
 66700 STATE ROAD 19 P.O. BOX 406  
 WAKARUSA, INDIANA 46573

CLEAR CHOICE COLLECTION  
 ELEVATIONS

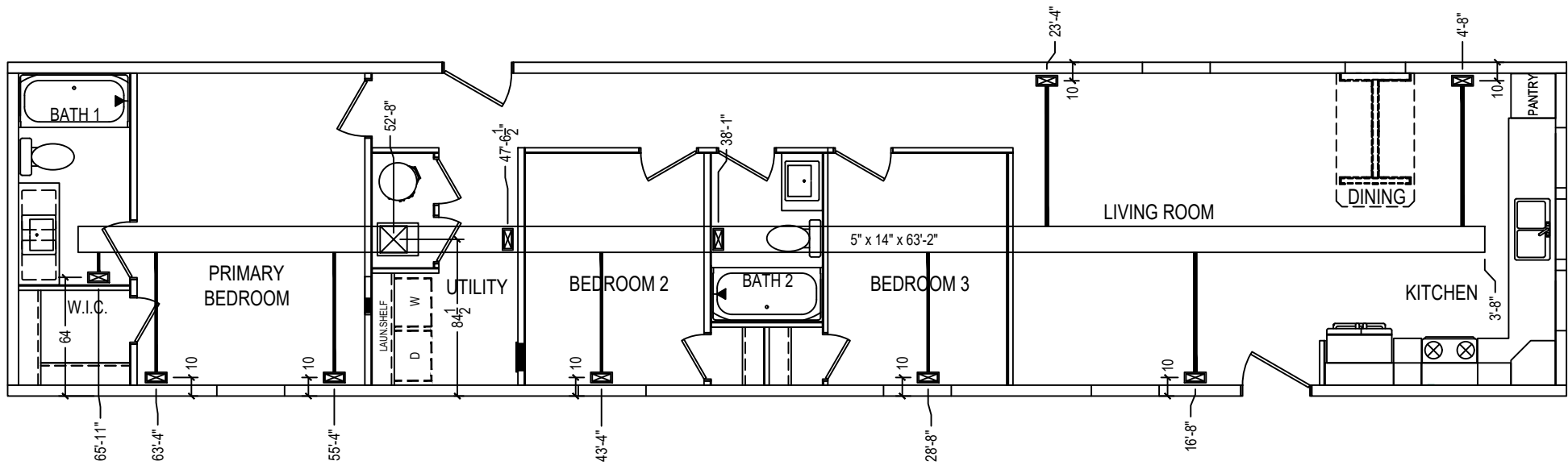
REVISION BOX

DRAWN BY: DCS  
 DATE: 9/12/2025

2026 MODEL

7016-CC03





- NOTES:
1. ALUMINUM HEAT DUCTS
  2. 4X10 REGISTERS
  3. INLINE REGISTERS STANDARD
  4. 6" BRANCH DUCTS

**CLAYTON WAKARUSA**  
 Div. of CMH Manufacturing West Inc.  
 66700 STATE ROAD 19 P.O. BOX 406  
 WAKARUSA, INDIANA 46573

**CLEAR CHOICE COLLECTION**  
**HVAC LAYOUT**

REVISION BOX

DRAWN BY: DCS  
 DATE: 9/12/2025  
 2026 MODEL  
**7016-CC03**

### SYMBOL SCHEDULE

SYMBOL	DESCRIPTION	SYMBOL	DESCRIPTION
⊕	LIGHT FIXTURE	SD	SMOKE DETECTOR
⊕	LIGHT FIXTURE	SD/CO	COMBINATION SMOKE/CO DETECTOR
⊕	RECESSED CW LIGHT "IC" LISTED AND SUITABLE FOR WET LOCATIONS	ES	SERVICE PANEL
⊕	PENDANT LIGHT FIXTURE	WP	WEATHER PROOF FIXTURE
⊕	DUPLEX RECEPTACLE	GFI	GROUND FAULT PROTECTED
⊕	DRYER RECEPTACLE (30A/230V)	BF	POWER BATH VENT
⊕	WALL SWITCH	PV	POWER VENT
⊕	THREE WAY WALL SWITCH	WHV	WHOLE HOUSE VENT FAN
⊕	THERMOSTAT	PJ	PHONE JACK
⊕	FURNACE	CJ	CABLE JACK
⊕	WATER HEATER	CD	COMM. DROP/DATA JACK

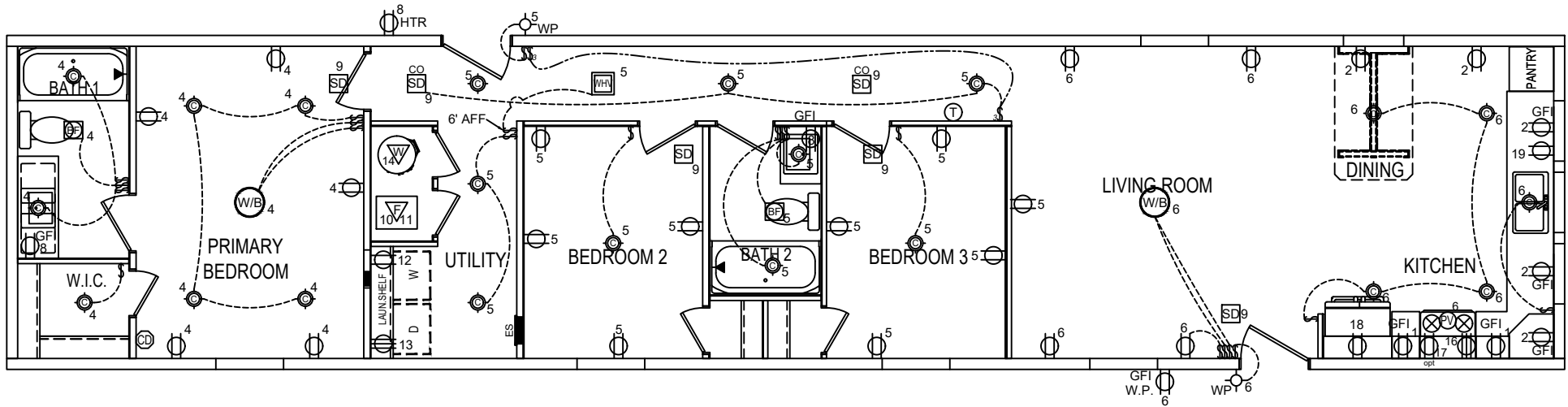
### GENERAL NOTES:

- ALL ELECTRICAL REQUIREMENTS, WIRING METHODS, AND REFERENCES MADE ARE IN ACCORDANCE WITH APPLICABLE SECTIONS OF THE 2014 NATIONAL ELECTRICAL CODE.
- ALL 15-AMP AND 20-AMP GENERAL LIGHTING CIRCUITS THAT ARE NOT SPECIFICALLY DEDICATED TO AN APPLIANCE OR SMOKE ALARMS SHALL BE AFCI PROTECTED.
- ALL 15-AMP AND 20-AMP RECEPTACLES MUST BE LISTED TAMPER RESISTANT.
- HEAT TAPE RECEPTACLES MUST BE INSTALLED ON A GFCI PROTECTED CIRCUIT AND LOCATED WITHIN 24" OF WATER INLET.
- WIRE IS NM CABLE WITH GROUND.
- LAVATORY RECEPTS ARE GFI PROTECTED.
- ALL KITCHEN RECEPTACLES OVER COUNTER TOPS ARE GFCI PROTECTED.
- OUTDOOR FIXTURES SHALL BE LISTED OR APPROVED FOR OUTDOOR USE.
- OUTSIDE RECEPTACLES ARE GFI PROTECTED WITH WEATHER-PROOF COVERS.
- ALL CLOSET LIGHTS TO BE A MIN. 12" FROM SHELF AND CLOSED TYPE.
- ALL SMOKE ALARMS ARE ON A DEDICATED CIRCUIT, WITH BATTERY BACK UP AND INSTALLED IN ACCORDANCE WITH MANUFACTURER'S INSTRUCTIONS. ANY SMOKE ALARM LOCATED WITHIN 20 FEET OF A KITCHEN MUST HAVE A TEMPORARY SILENCING FEATURE.

### ELECTRICAL SCHEDULE

CIR. NO.	CIRCUIT DESCRIPTION	BREAKER	WIRE SIZE	CIR. NO.	CIRCUIT DESCRIPTION	BREAKER	WIRE SIZE
1	PORTABLE APPLIANCE	20	12-2 W/G	12	WASHER	20	12-2 W/G
2	PORTABLE APPLIANCE	20	12-2 W/G	13	CLOTHES DRYER	30	10-3 W/G
3	PORTABLE APPLIANCE	20	12-2 W/G	* 14	WATER HEATER (1650 WATTS) (OPTIONAL)	30	10-2 W/G
4	GENERAL LIGHTING	15	14-2 W/G				
5	GENERAL LIGHTING	15	14-2 W/G	16	RANGE (12.5 KW MAX) (OPTIONAL)	40	8-3 W/G
6	GENERAL LIGHTING	15	14-2 W/G	17	GAS RANGE	15	14-2 W/G
7	GENERAL LIGHTING	15	14-2 W/G	18	REFRIGERATOR	20	12-2 W/G
8	BATH GFCI CIRCUIT	20	12-2 W/G	19	DISHWASHER / GARBAGE DISPOSAL (OPT)	20	12-2 W/G
9	SMOKE DETECTORS	15	14-3 W/G	20	MICROWAVE OVEN (OPTIONAL)	15	14-2 W/G
10	ELECTRIC FURNACE			21	RANGE POWER VENT W/CORD	15	14-2 W/G
	1. ALTERNATE CIRCUIT	60	6-6-8 W/G	22	FREEZER (OPTIONAL)	20	12-2 W/G
	2. ALTERNATE CIRCUIT (WIRE #1)	50	6-6-8 W/G	** 23	WHIRLPOOL TYPE TUB	20	12-2 W/G
	(WIRE #2)	20	12-2 W/G				
* 11	FURNACE - GAS (OPTIONAL)	15	14-2 W/G				

\* LOCK-OUT BREAKER PROVIDED WHEN NOT WITHIN SITE OF PANEL  
\*\* INDICATES CIRCUIT IS GROUND FAULT PROTECTED (GFCI)



CLAYTON WAKARUSA  
Div. of CMH Manufacturing West Inc.  
66700 STATE ROAD 19 P.O. BOX 406  
WAKARUSA, INDIANA 46573

CLEAR CHOICE COLLECTION  
ELECTRICAL LAYOUT

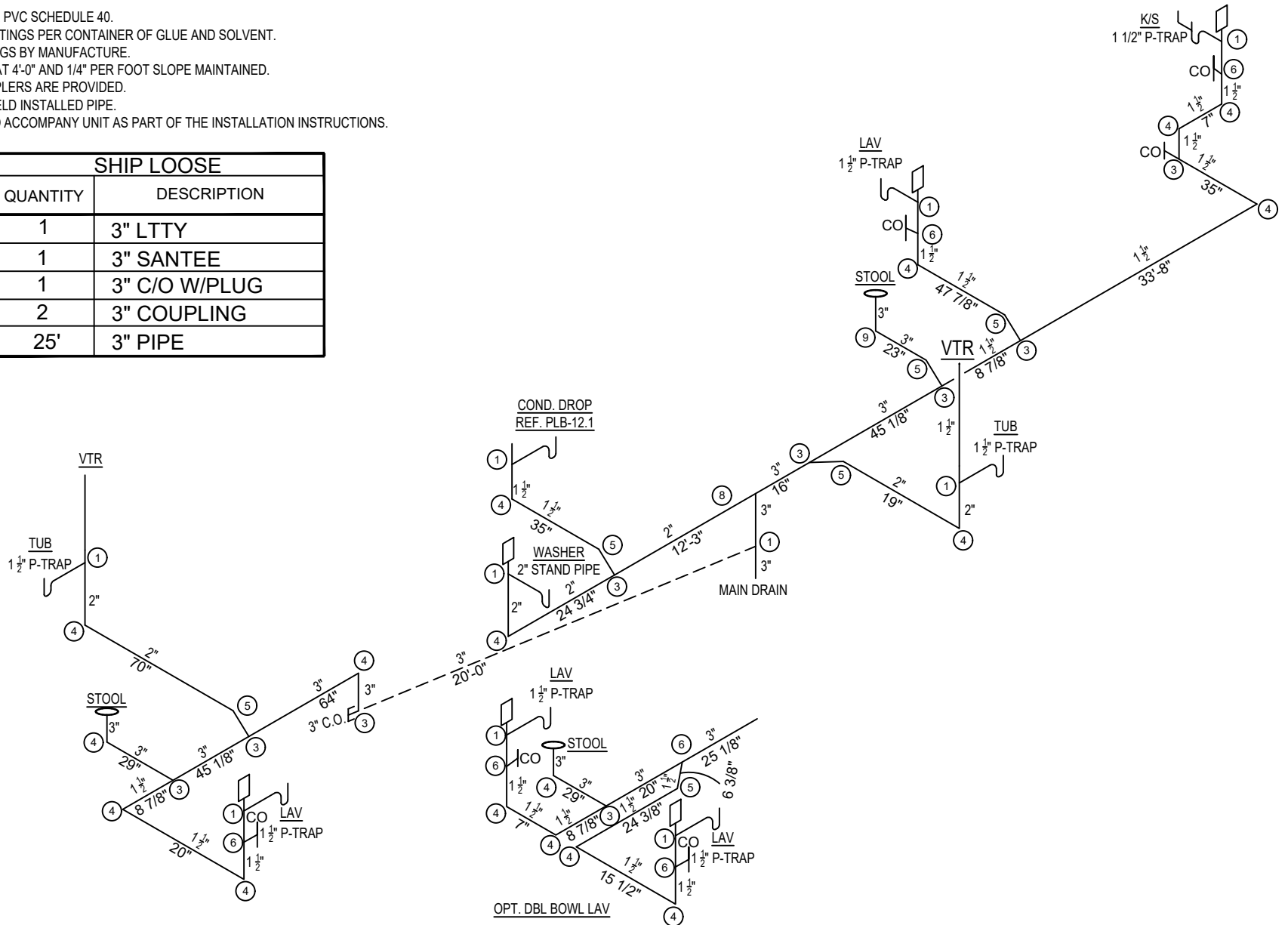
REVISION BOX

DRAWN BY:  
DATE: 9/12/2025  
2026 MODEL:  
7016-CC03

- NOTE:
1. ALL PIPE AND FITTINGS ARE PVC SCHEDULE 40.
  2. ASSEMBLY OF PIPE AND FITTINGS PER CONTAINER OF GLUE AND SOLVENT.
  3. MATERIAL, PIPE, AND FITTINGS BY MANUFACTURE.
  4. PIPING TO BE SUPPORTED AT 4'-0" AND 1/4" PER FOOT SLOPE MAINTAINED.
  5. CUT PIPE TO LENGTH, COUPLERS ARE PROVIDED.
  6. DASHED LINES INDICATE FIELD INSTALLED PIPE.
  7. A COPY OF THIS LAYOUT TO ACCOMPANY UNIT AS PART OF THE INSTALLATION INSTRUCTIONS.

- |   |              |
|---|--------------|
| 1 | SANTEE       |
| 2 | DBL SANTEE   |
| 3 | LTTY         |
| 4 | XLTL         |
| 5 | 45° ELL      |
| 6 | WYE          |
| 7 | DBL LTTY     |
| 8 | DBL ELL      |
| 9 | 4x3 CLST ELL |

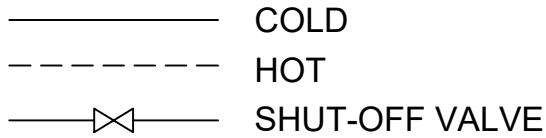
SHIP LOOSE	
QUANTITY	DESCRIPTION
1	3" LTTY
1	3" SANTEE
1	3" C/O W/PLUG
2	3" COUPLING
25'	3" PIPE



<b>CLAYTON WAKARUSA</b> Div. of CMH Manufacturing West Inc. 66700 STATE ROAD 19 P.O. BOX 406 WAKARUSA, INDIANA 46573	<b>CLEAR CHOICE COLLECTION</b>	<small>REVISION BOX</small> DRAWN BY: DCS DATE: 9/12/2025 <small>2026 MODEL</small> <b>7016-CC03</b>
	<b>PLUMBING DWV LAYOUT</b>	

NOTES:

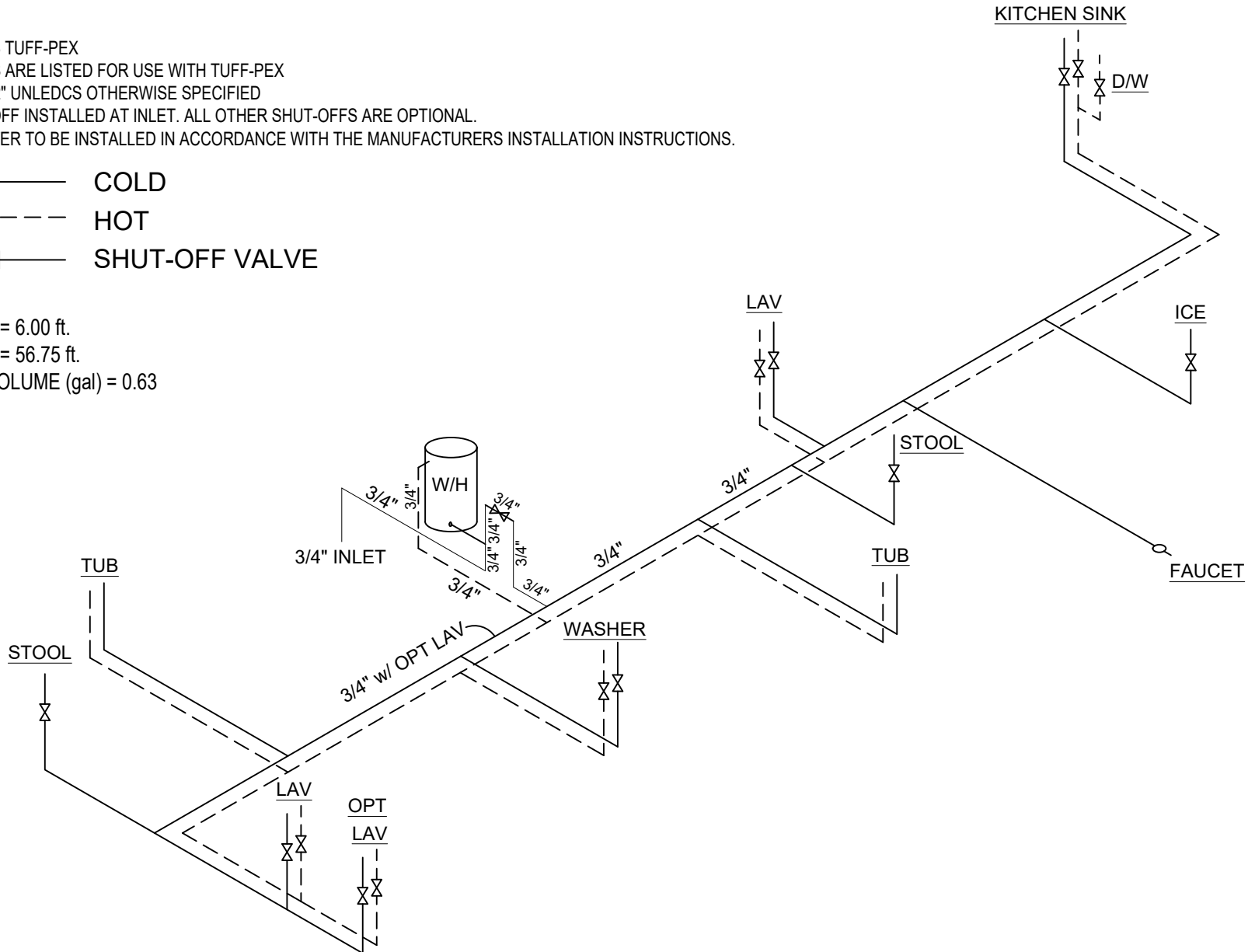
1. ALL PIPING IS TUFF-PEX
2. ALL FITTINGS ARE LISTED FOR USE WITH TUFF-PEX
3. ALL LINES 1/2" UNLESS OTHERWISE SPECIFIED
4. MAIN SHUT-OFF INSTALLED AT INLET. ALL OTHER SHUT-OFFS ARE OPTIONAL.
5. WATER HEATER TO BE INSTALLED IN ACCORDANCE WITH THE MANUFACTURERS INSTALLATION INSTRUCTIONS.



MDL 3/4" = 6.00 ft.

MDL 1/2" = 56.75 ft.

TOTAL VOLUME (gal) = 0.63

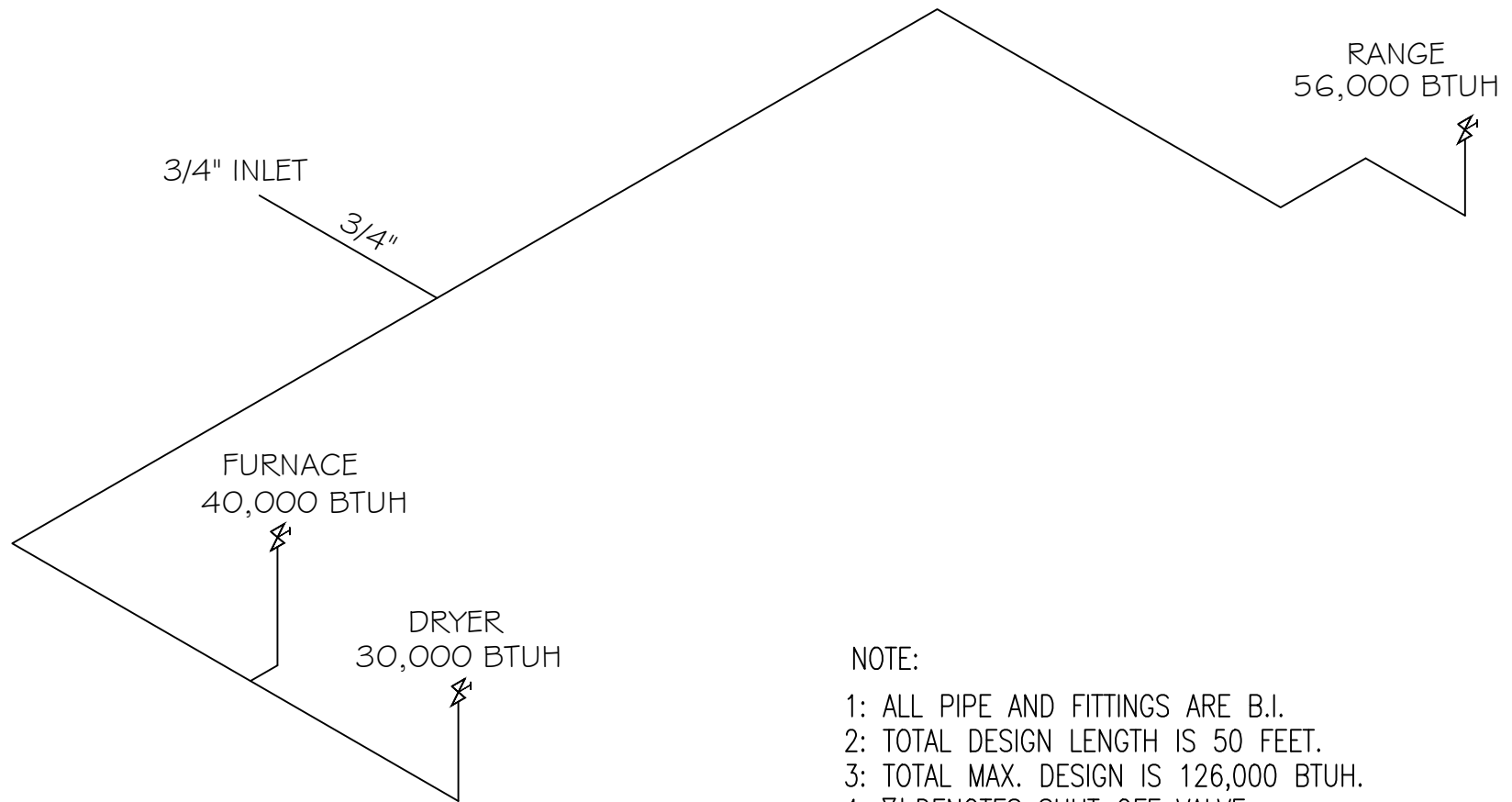


CLAYTON WAKARUSA  
 Div. of CMH Manufacturing West Inc.  
 66700 STATE ROAD 19 P.O. BOX 406  
 WAKARUSA, INDIANA 46573

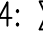
CLEAR CHOICE COLLECTION  
 PLUMBING SUPPLY LAYOUT

REVISION BOX

DRAWN BY: DCS  
 DATE: 9/12/2025  
 2026 MODEL  
 7016-CC03



NOTE:

- 1: ALL PIPE AND FITTINGS ARE B.I.
- 2: TOTAL DESIGN LENGTH IS 50 FEET.
- 3: TOTAL MAX. DESIGN IS 126,000 BTUH.
- 4:  DENOTES SHUT OFF VALVE.
- 5: ALL PIPE 1/2" UNLESS OTHERWISE STATED.

CLAYTON WAKARUSA  
 Div. of CMH Manufacturing West Inc.  
 66700 STATE ROAD 19 P.O. BOX 406  
 WAKARUSA, INDIANA 46573

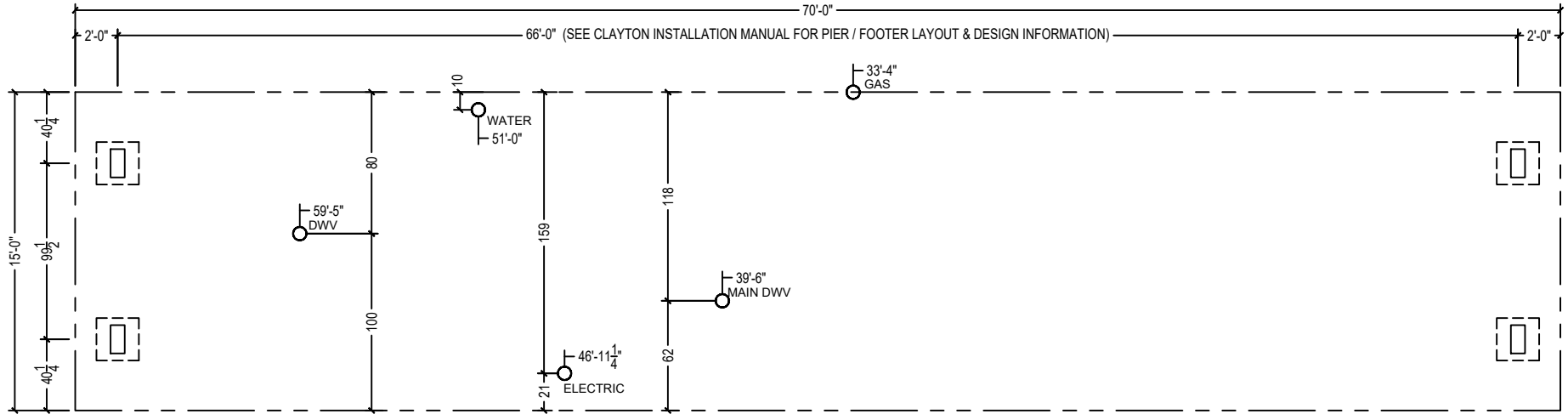
CLEAR CHOICE COLLECTION  
 PLUMBING GAS LINE LAYOUT

REVISION BOX

DRAWN BY: DCS  
 DATE: 9/12/2025  
 2326 MODEL  
 7016-CC03

**GENERAL NOTES**

1. THIS PRINT IS PROVIDED TO SHOW THE REQUIRED PIER LOCATION THAT ARE NOT MODIFIED BY THE SITE SOIL CLADCSIFICATIONS
2. REFERENCE THE CLAYTON HOMES HUD INSTALLATION MANUAL FOR ALL LAYOUT AND DESIGN INFORMATION
3. THIS STRUCTURE HAS NOT BEEN DESIGNED TO BE LOCATED WITHIN FLOOD HAZARD LOCATIONS, WHEN SITE IS LOCATED, AUTHORITY HAVING JURISDICTION OR FLOOD HAZARD MAPS, THE UNIT SHALL HAVE LOWEST FLOOR ELEVATED ABOVE THE DESIGNED FLOOD ELEVATION
4. THE DESIGN WIDTH IS NOMINAL AND DOES NOT TAKE INTO ACCOUNT THE OSB, SIDING, OR GAPS IN THE MATELINE AREA. A SITE INSTALLER SHOULD CONFIRM ALL MEASUREMENTS WITH THE FINISHED STRUCTURE.
5. PERMITER BLOCKING SHOWN MAY BE OMITTED DUE TO ADDITIONAL FLOOR JOISTS PER THE SET UP MANUAL ADDENDUM SU-ADD-177.0.



**NOTE**

1. DESIGNED FOR \_\_\_\_\_ PSF ALLOWABLE SOIL IN ACCORDANCE WITH (PAGE 17 & 18) [3285.202]
2. FROST DEPTH IS \_\_\_\_\_ INCHES PER (FIGURE 5A) OR FROM LAHJ.
3. FROST PROTECTION WILL BE PROVIDED BY (Check one):  NA ;  PLACING FOOTERS BELOW GRADE ;  FROST PROTECTED DESIGN PAGE \_\_\_\_\_ ;  FROST FREE DESIGN PAGE \_\_\_\_\_ [3285.312(b)]
4. SPACE FRAME PIERS AT 2' FROM EACH END AND \_\_\_\_\_ FT. \_\_\_\_\_ INCHES ON CENTER BETWEEN.
5. LOAD AT EACH FRAME PIER WILL BE \_\_\_\_\_ LBS. PER (TABLE 6 \_\_\_\_\_) without perimeter blocking OR (TABLE 7 \_\_\_\_\_) with perimeter blocking AT SPACING ABOVE.
6. SINGLE or DOUBLE (circle one) DRY or MORTARED(circle one) STACK CONCRETE BLOCKS WILL BE USED FOR ALL FRAME PIERS WHICH HAS CAPACITY OF \_\_\_\_\_ LBS PER MAX. & PIER HEIGHT IS \_\_\_\_\_ INCHES OR LEDCS (TABLE 9) (PAGE 31) [3285.306]
7. FRAME PIER FOOTING AREA WILL BE \_\_\_\_\_ SQ. INCHES WHICH WILL BE \_\_\_\_\_ INCHES (SQUARE OR DIAMETER) (circle one) (TABLE 10)
8. FOOTERS WILL BE POURED/ PRECAST/ OTHER: \_\_\_\_\_ (circle one or fill in) WITH MINIMUM DEPTH OF \_\_\_\_\_ INCHES (TABLE 10A)
9. LOAD AT SIDEWALL OPENINGS IS \_\_\_\_\_ LBS. (TABLE 6d). FOOTING AREA WILL BE \_\_\_\_\_ SQ. INCHES WHICH WILL BE \_\_\_\_\_ INCHES (SQUARE OR DIAMETER) (circle one) (TABLE 10)
10. MATING WALL COLUMN PIERS: SPAN: \_\_\_\_\_ FT.; LOAD: \_\_\_\_\_ LBS.; FOOTER SIZE: \_\_\_\_\_ INCHES (SQUARE OR DIAMETER) (circle one); PIER CONF: \_\_\_\_\_ STACKED; (PER TABLE 5 \_\_\_\_\_, TABLE 10; TABLE 9)

(Reference to Clayton Homes DAPIA approved Installation manual)  
 (Reference to Federal Statutes 24 CFR Part 3280, 3285 or 3286)

**FOUNDATION DESIGN INFO.**

1. Wind Speed: Wind Zone 1
2. Maximum Roof Load: 30psf
3. Seismic Design Category: C
4. Max Sidewall Overhang: 6"

Perimeter blocking not Required

**CLAYTON WAKARUSA**  
 Div. of CMH Manufacturing West Inc.  
 66700 STATE ROAD 19 P.O. BOX 406  
 WAKARUSA, INDIANA 46573

**CLEAR CHOICE COLLECTION**  
 FOUNDATION LAYOUT 20#, 30#

REVISION BOX

DRAWN BY: DCS  
 DATE: 9/12/2025

2026 MODEL

**7016-CC03**