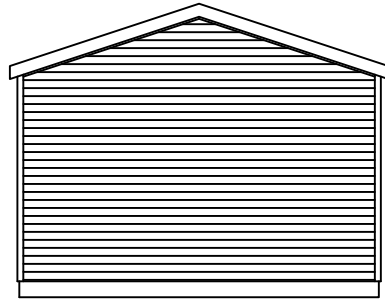


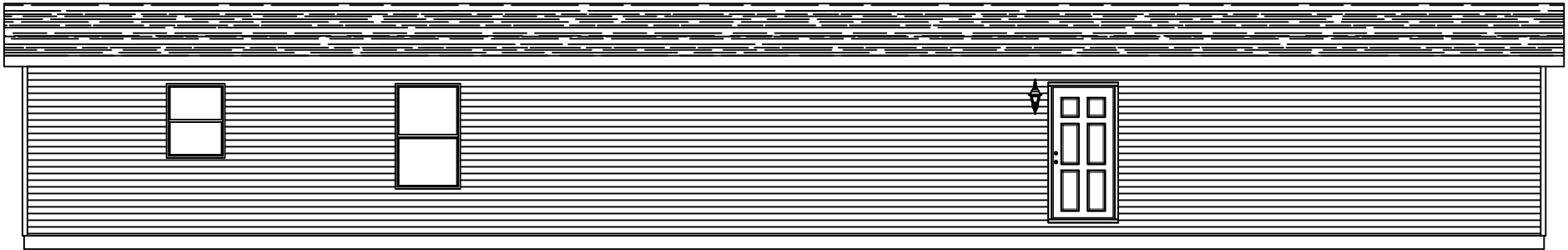
FRONT ELEVATION



LEFT ELEVATION



RIGHT ELEVATION



REAR ELEVATION

CLAYTON WAKARUSA
 Div. of CMH Manufacturing West Inc.
 66700 STATE ROAD 19 P.O. BOX 406
 WAKARUSA, INDIANA 46573

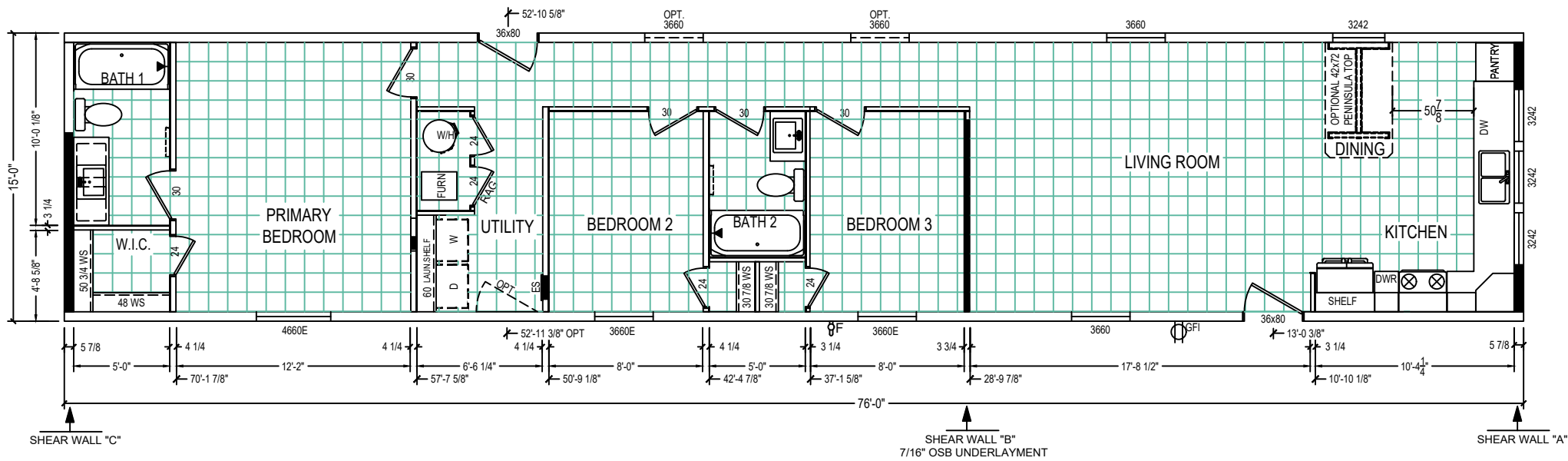
CLEAR CHOICE COLLECTION
 ELEVATIONS

REVISION BOX

DRAWN BY: DCS
 DATE: 9/9/2025

2026 MODEL

7616-CC03

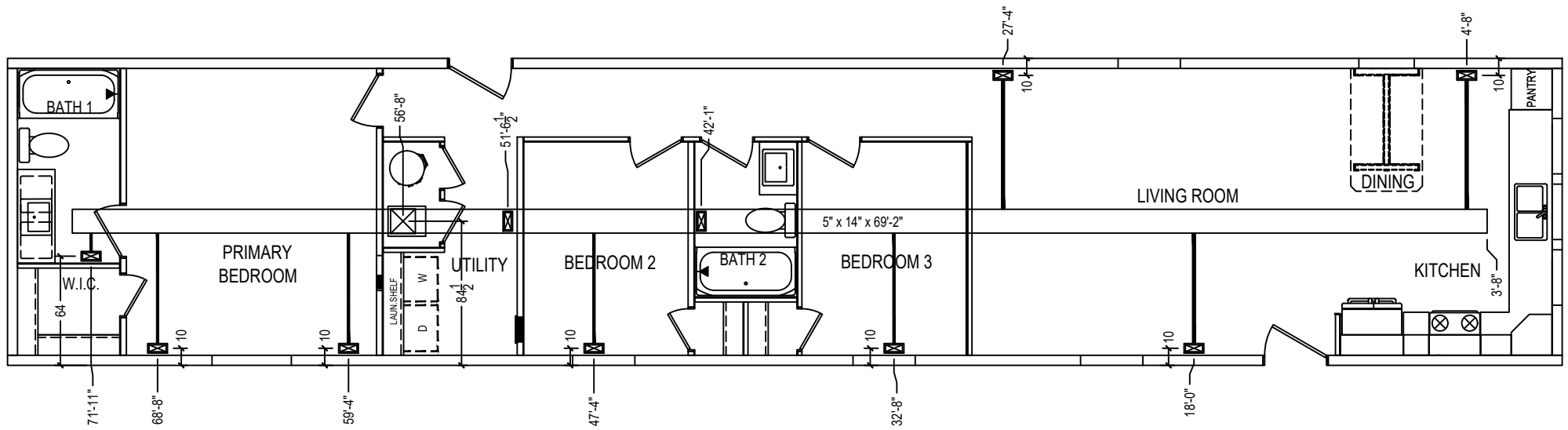


CLAYTON WAKARUSA
 Div. of CMH Manufacturing West Inc.
 66700 STATE ROAD 19 P.O. BOX 406
 WAKARUSA, INDIANA 46573

CLEAR CHOICE COLLECTION
 FLOOR PLAN

REVISION BOX

DRAWN BY: DCS
 DATE: 9/9/2025
 2026 MODEL
 7616-CC03



- NOTES:
1. ALUMINUM HEAT DUCTS
 2. 4X10 REGISTERS
 3. INLINE REGISTERS STANDARD
 4. 6" BRANCH DUCTS

CLAYTON WAKARUSA
 Div. of CMH Manufacturing West Inc.
 66700 STATE ROAD 19 P.O. BOX 406
 WAKARUSA, INDIANA 46573

CLEAR CHOICE COLLECTION
 HVAC LAYOUT

REVISION BOX

DRAWN BY: DCS
 DATE: 9/9/2025

2026 MODEL

7616-CC03

SYMBOL SCHEDULE

| SYMBOL | DESCRIPTION | SYMBOL | DESCRIPTION |
|--------|--|--------|-------------------------------|
| | LIGHT FIXTURE | | SMOKE DETECTOR |
| | RECESSED CAN LIGHT "C" LISTED AND SUITABLE FOR WET LOCATIONS | | COMBINATION SMOKE/CO DETECTOR |
| | SERVICE PANEL | | WEATHER PROOF FIXTURE |
| | DUPLEX RECEPTACLE | | GROUND FAULT PROTECTED |
| | DRYER RECEPTACLE (30A/230V) | | POWER BATH VENT |
| | WALL SWITCH | | POWER VENT |
| | THREE WAY WALL SWITCH | | WHOLE HOUSE VENT FAN |
| | THERMOSTAT | | PHONE JACK |
| | FURNACE | | CABLE JACK |
| | WATER HEATER | | COMM. DROP/DATA JACK |

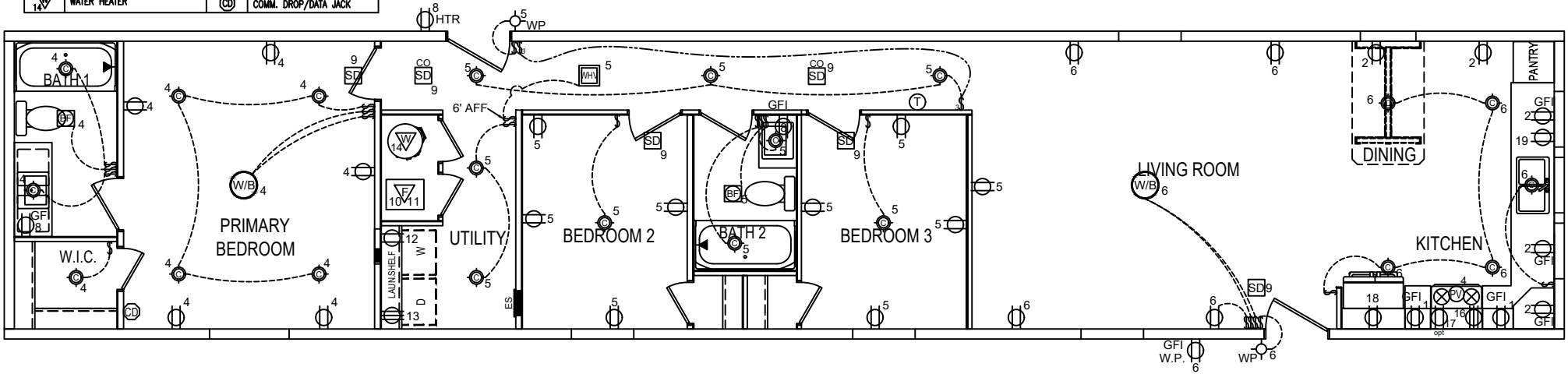
GENERAL NOTES:

- ALL ELECTRICAL REQUIREMENTS, WIRING METHODS, AND REFERENCES MADE ARE IN ACCORDANCE WITH APPLICABLE SECTIONS OF THE 2014 NATIONAL ELECTRICAL CODE.
- ALL 15-AMP AND 20-AMP GENERAL LIGHTING CIRCUITS THAT ARE NOT SPECIFICALLY DEDICATED TO AN APPLIANCE OR SMOKE ALARMS SHALL BE AFCI PROTECTED.
- ALL 15-AMP AND 20-AMP RECEPTACLES MUST BE LISTED TAMPER RESISTANT.
- HEAT TAPE RECEPTACLES MUST BE INSTALLED ON A GFCI PROTECTED CIRCUIT AND LOCATED WITHIN 24" OF WATER INLET.
- WIRE IS NM CABLE WITH GROUND.
- LAVATORY RECEPTS ARE GFI PROTECTED.
- ALL KITCHEN RECEPTACLES OVER COUNTER TOPS ARE GFCI PROTECTED.
- OUTSIDE RECEPTACLES ARE GFI PROTECTED WITH WEATHER-PROOF COVERS.
- OUTSIDE RECEPTACLES ARE GFI PROTECTED WITH WEATHER-PROOF COVERS.
- ALL CLOSET LIGHTS TO BE A MIN. 12" FROM SHELF AND CLOSED TYPE.
- ALL SMOKE ALARMS ARE ON A DEDICATED CIRCUIT, WITH BATTERY BACK UP AND INSTALLED IN ACCORDANCE WITH MANUFACTURER'S INSTRUCTIONS. ANY SMOKE ALARM LOCATED WITHIN 20 FEET OF A KITCHEN MUST HAVE A TEMPORARY SILENCING FEATURE.

ELECTRICAL SCHEDULE

| CIR. NO. | CIRCUIT DESCRIPTION | BREAKER | WIRE SIZE | CIR. NO. | CIRCUIT DESCRIPTION | BREAKER | WIRE SIZE |
|----------|--------------------------------|---------|-----------|----------|--------------------------------------|---------|-----------|
| 1 | PORTABLE APPLIANCE | 20 | 12-2 W/G | 12 | WASHER | 20 | 12-2 W/G |
| 2 | PORTABLE APPLIANCE | 20 | 12-2 W/G | 13 | CLOTHES DRYER | 30 | 10-3 W/G |
| 3 | PORTABLE APPLIANCE | 20 | 12-2 W/G | * 14 | WATER HEATER (1650 WATTS) (OPTIONAL) | 30 | 10-2 W/G |
| 4 | GENERAL LIGHTING | 15 | 14-2 W/G | | | | |
| 5 | GENERAL LIGHTING | 15 | 14-2 W/G | 16 | RANGE (12.5 KW MAX) (OPTIONAL) | 40 | 8-3 W/G |
| 6 | GENERAL LIGHTING | 15 | 14-2 W/G | 17 | GAS RANGE | 15 | 14-2 W/G |
| 7 | GENERAL LIGHTING | 15 | 14-2 W/G | 18 | REFRIGERATOR | 20 | 12-2 W/G |
| 8 | BATH GFCI CIRCUIT | 20 | 12-2 W/G | 19 | DISHWASHER / CARBAGE DISPOSAL (OPT) | 20 | 12-2 W/G |
| 9 | SMOKE DETECTORS | 15 | 14-3 W/G | 20 | MICROWAVE OVEN (OPTIONAL) | 15 | 14-2 W/G |
| * 10 | ELECTRIC FURNACE | | | 21 | RANGE POWER VENT W/CORD | 15 | 14-2 W/G |
| | 1. ALTERNATE CIRCUIT | 60 | 6-6-8 W/G | 22 | FREEZER (OPTIONAL) | 20 | 12-2 W/G |
| | 2. ALTERNATE CIRCUIT (WIRE #1) | 50 | 6-6-8 W/G | ** 23 | WHIRLPOOL TYPE TUB | 20 | 12-2 W/G |
| | (WIRE #2) | 20 | 12-2 W/G | | | | |
| 11 | FURNACE - GAS (OPTIONAL) | 15 | 14-2 W/G | | | | |

* LOCK-OUT BREAKER PROVIDED WHEN NOT WITHIN SITE OF PANEL
** INDICATES CIRCUIT IS GROUND FAULT PROTECTED (GFCI)



CLAYTON WAKARUSA
Div. of CMH Manufacturing West Inc.
66700 STATE ROAD 19 P.O. BOX 406
WAKARUSA, INDIANA 46783

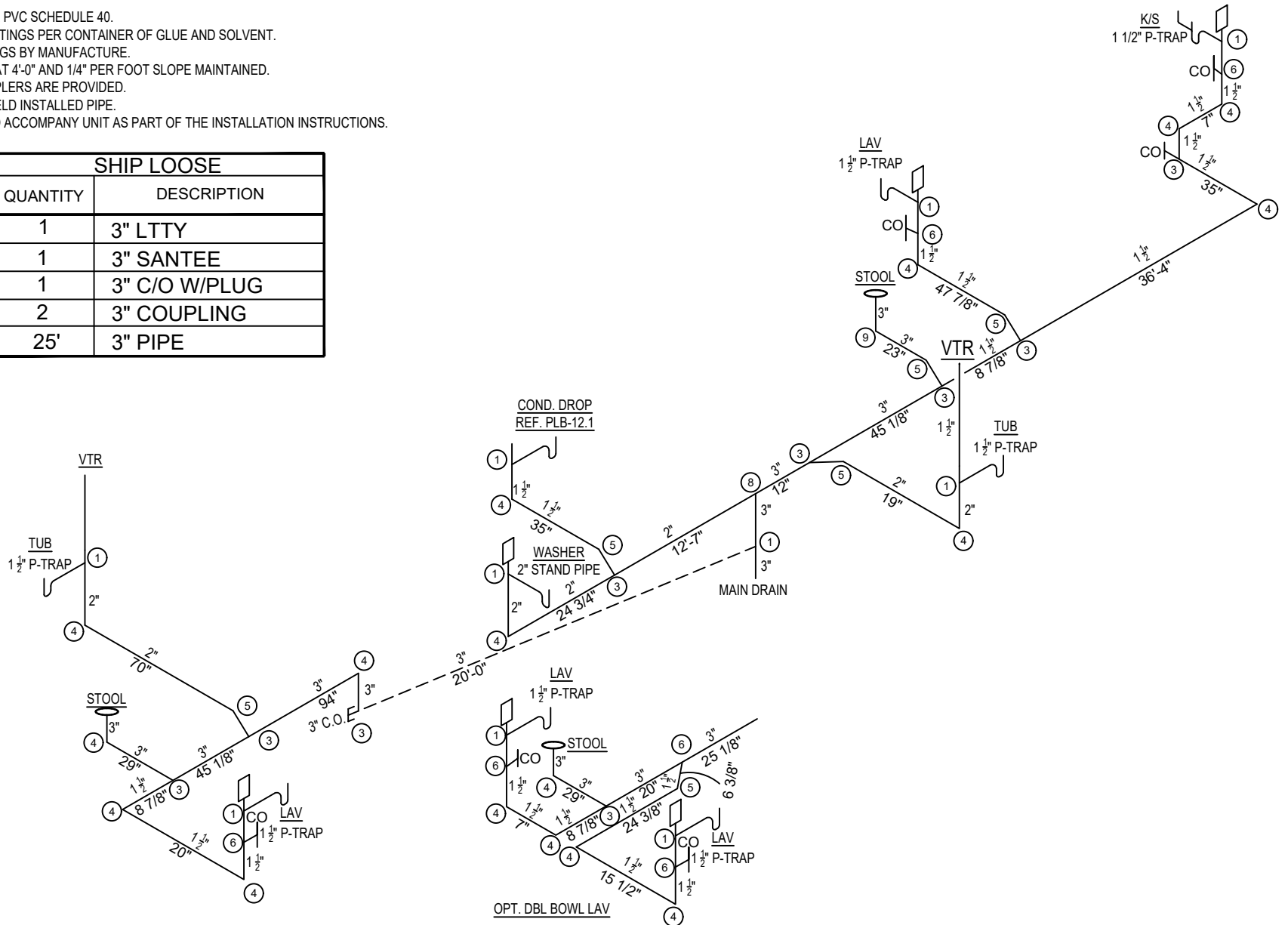
CLEAR CHOICE COLLECTION
ELECTRICAL LAYOUT

REVISION BOX
DRAWN BY:
DATE: 9/9/2025
2026 MODEL:
7616-CC03

- NOTE:
1. ALL PIPE AND FITTINGS ARE PVC SCHEDULE 40.
 2. ASSEMBLY OF PIPE AND FITTINGS PER CONTAINER OF GLUE AND SOLVENT.
 3. MATERIAL, PIPE, AND FITTINGS BY MANUFACTURE.
 4. PIPING TO BE SUPPORTED AT 4'-0" AND 1/4" PER FOOT SLOPE MAINTAINED.
 5. CUT PIPE TO LENGTH, COUPLERS ARE PROVIDED.
 6. DASHED LINES INDICATE FIELD INSTALLED PIPE.
 7. A COPY OF THIS LAYOUT TO ACCOMPANY UNIT AS PART OF THE INSTALLATION INSTRUCTIONS.

- | | |
|---|--------------|
| 1 | SANTEE |
| 2 | DBL SANTEE |
| 3 | LTTY |
| 4 | XLTL |
| 5 | 45° ELL |
| 6 | WYE |
| 7 | DBL LTTY |
| 8 | DBL ELL |
| 9 | 4x3 CLST ELL |

| SHIP LOOSE | |
|------------|---------------|
| QUANTITY | DESCRIPTION |
| 1 | 3" LTTY |
| 1 | 3" SANTEE |
| 1 | 3" C/O W/PLUG |
| 2 | 3" COUPLING |
| 25' | 3" PIPE |



CLAYTON WAKARUSA
 Div. of CMH Manufacturing West Inc.
 66700 STATE ROAD 19 P.O. BOX 406
 WAKARUSA, INDIANA 46573

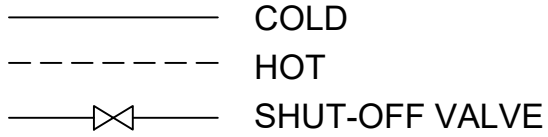
CLEAR CHOICE COLLECTION
PLUMBING DWV LAYOUT

REVISION BOX

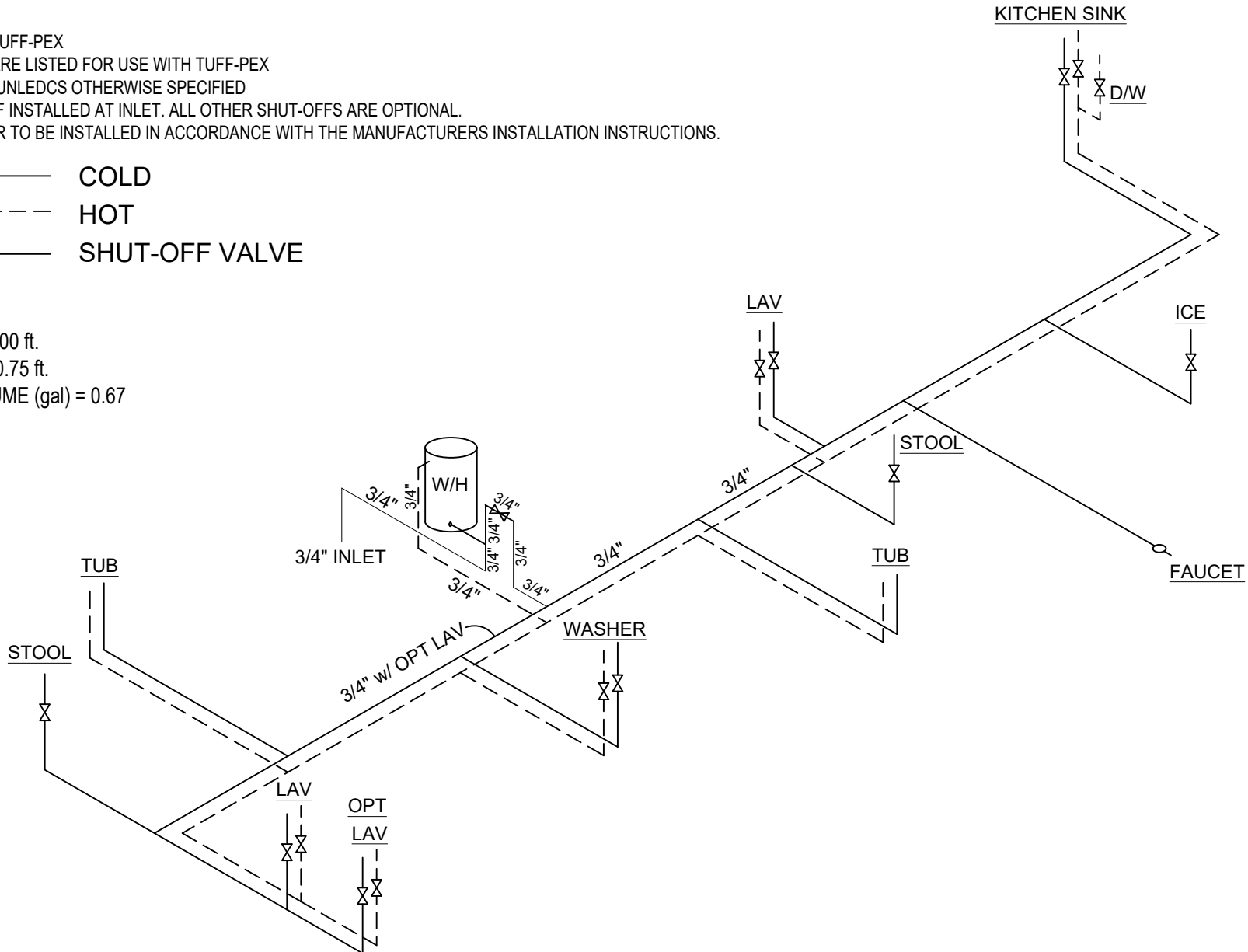
DRAWN BY: DCS
 DATE: 9/9/2025
 2026 MODEL
7616-CC03

NOTES:

1. ALL PIPING IS TUFF-PEX
2. ALL FITTINGS ARE LISTED FOR USE WITH TUFF-PEX
3. ALL LINES 1/2" UNLEDCS OTHERWISE SPECIFIED
4. MAIN SHUT-OFF INSTALLED AT INLET. ALL OTHER SHUT-OFFS ARE OPTIONAL.
5. WATER HEATER TO BE INSTALLED IN ACCORDANCE WITH THE MANUFACTURERS INSTALLATION INSTRUCTIONS.



MDL 3/4" = 6.00 ft.
 MDL 1/2" = 60.75 ft.
 TOTAL VOLUME (gal) = 0.67

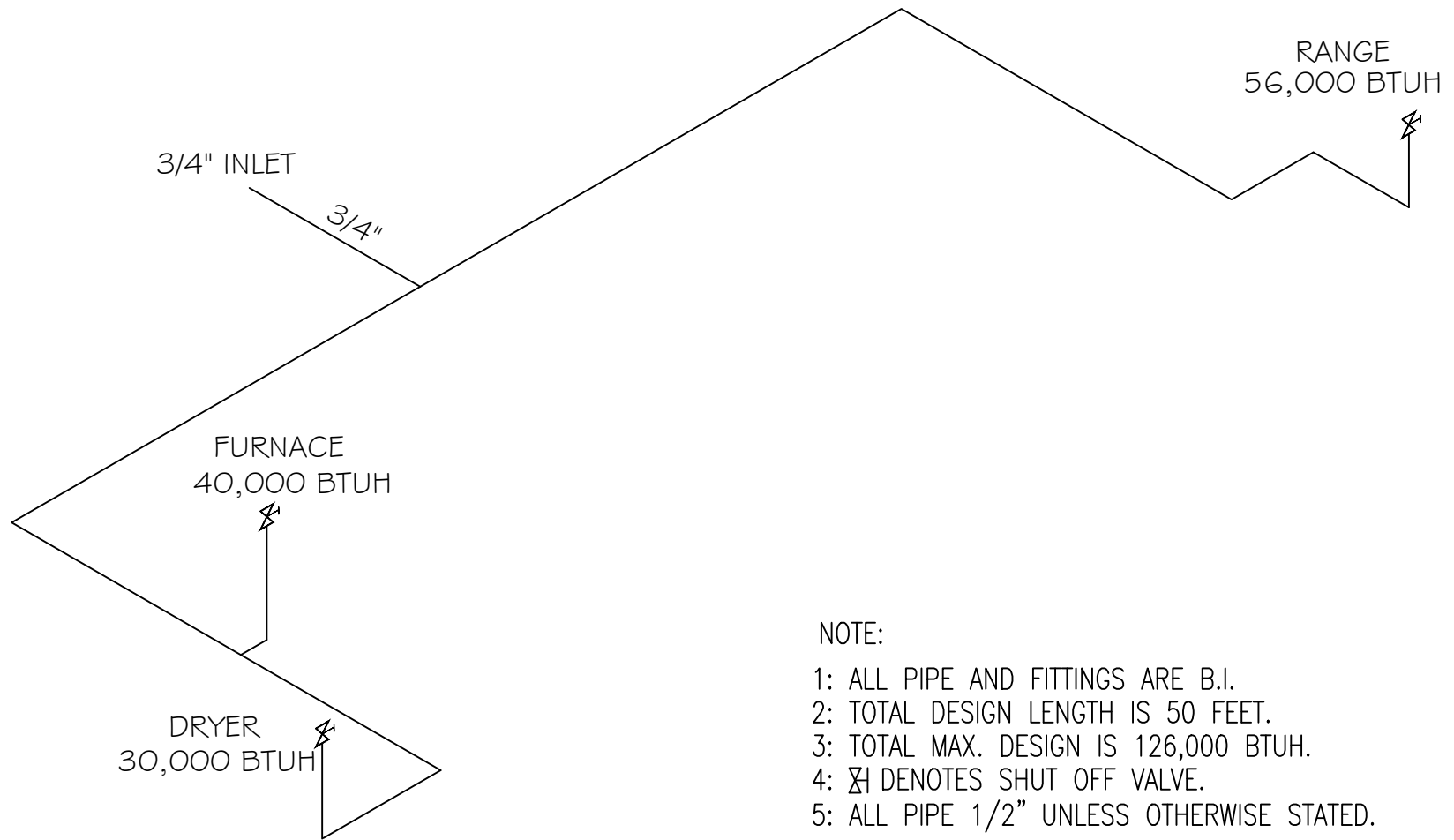


CLAYTON WAKARUSA
 Div. of CMH Manufacturing West Inc.
 66700 STATE ROAD 19 P.O. BOX 406
 WAKARUSA, INDIANA 46573

CLEAR CHOICE COLLECTION
PLUMBING SUPPLY LAYOUT

REVISION BOX

DRAWN BY: DCS
 DATE: 9/9/2025
 2026 MODEL
7616-CC03



NOTE:

- 1: ALL PIPE AND FITTINGS ARE B.I.
- 2: TOTAL DESIGN LENGTH IS 50 FEET.
- 3: TOTAL MAX. DESIGN IS 126,000 BTUH.
- 4: \times DENOTES SHUT OFF VALVE.
- 5: ALL PIPE 1/2" UNLESS OTHERWISE STATED.

CLAYTON WAKARUSA
Div. of CMH Manufacturing West Inc.
66700 STATE ROAD 19 P.O. BOX 406
WAKARUSA, INDIANA 46573

CLEAR CHOICE COLLECTION
PLUMBING GAS LINE LAYOUT

REVISION BOX

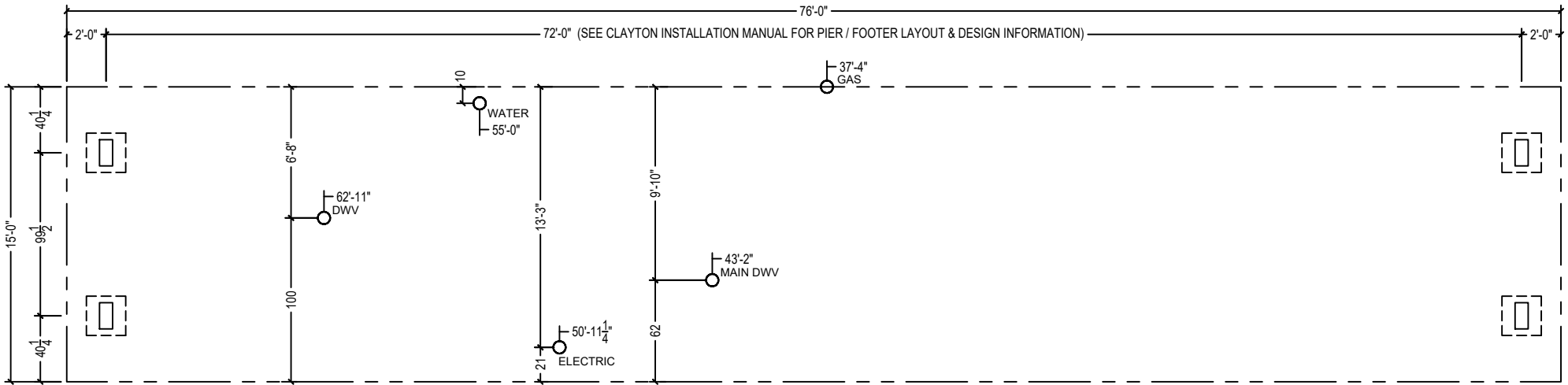
DRAWN BY: DCS
DATE: 9/9/2025

2026 MODEL

7616-CC03

GENERAL NOTES

1. THIS PRINT IS PROVIDED TO SHOW THE REQUIRED PIER LOCATION THAT ARE NOT MODIFIED BY THE SITE SOIL CLADCSIFICATIONS
2. REFERENCE THE CLAYTON HOMES HUD INSTALLATION MANUAL FOR ALL LAYOUT AND DESIGN INFORMATION
3. THIS STRUCTURE HAS NOT BEEN DESIGNED TO BE LOCATED WITHIN FLOOD HAZARD LOCATIONS, WHEN SITE IS LOCATED, AUTHORITY HAVING JURISDICTION OR FLOOD HAZARD MAPS, THE UNIT SHALL HAVE LOWEST FLOOR ELEVATED ABOVE THE DESIGNED FLOOD ELEVATION
4. THE DESIGN WIDTH IS NOMINAL AND DOES NOT TAKE INTO ACCOUNT THE OSB, SIDING, OR GAPS IN THE MATELINE AREA. A SITE INSTALLER SHOULD CONFIRM ALL MEASUREMENTS WITH THE FINISHED STRUCTURE.
5. PERMITER BLOCKING SHOWN MAY BE OMITTED DUE TO ADDITIONAL FLOOR JOISTS PER THE SET UP MANUAL ADDENDUM SU-ADD-177.0.



NOTE

1. DESIGNED FOR _____ PSF ALLOWABLE SOIL IN ACCORDANCE WITH (PAGE 17 & 18) [3285.202]
2. FROST DEPTH IS _____ INCHES PER (FIGURE 5A) OR FROM LAHJ.
3. FROST PROTECTION WILL BE PROVIDED BY (Check one): NA ; PLACING FOOTERS BELOW GRADE ; FROST PROTECTED DESIGN PAGE _____ ; FROST FREE DESIGN PAGE _____ [3285.312(b)]
4. SPACE FRAME PIERS AT 2' FROM EACH END AND _____ FT. _____ INCHES ON CENTER BETWEEN.
5. LOAD AT EACH FRAME PIER WILL BE _____ LBS. PER (TABLE 6 _____) without perimeter blocking OR (TABLE 7 _____) with perimeter blocking AT SPACING ABOVE.
6. SINGLE or DOUBLE (circle one) DRY or MORTARED(circle one) STACK CONCRETE BLOCKS WILL BE USED FOR ALL FRAME PIERS WHICH HAS CAPACITY OF _____ LBS PER MAX. & PIER HEIGHT IS _____ INCHES OR LEDCS (TABLE 9) (PAGE 31) [3285.306]
7. FRAME PIER FOOTING AREA WILL BE _____ SQ. INCHES WHICH WILL BE _____ INCHES (SQUARE OR DIAMETER) (circle one) (TABLE 10)
8. FOOTERS WILL BE POURED/ PRECAST/ OTHER: _____ (circle one or fill in) WITH MINIMUM DEPTH OF _____ INCHES (TABLE 10A)
9. LOAD AT SIDEWALL OPENINGS IS _____ LBS. (TABLE 6d). FOOTING AREA WILL BE _____ SQ. INCHES WHICH WILL BE _____ INCHES (SQUARE OR DIAMETER) (circle one) (TABLE 10)
10. MATING WALL COLUMN PIERS: SPAN: _____ FT.; LOAD: _____ LBS.; FOOTER SIZE: _____ INCHES (SQUARE OR DIAMETER) (circle one); PIER CONF: _____ STACKED; (PER TABLE 5 _____, TABLE 10; TABLE 9)

(Reference to Clayton Homes DAPIA approved Installation manual)
 (Reference to Federal Statutes 24 CFR Part 3280, 3285 or 3286)

FOUNDATION DESIGN INFO.

1. Wind Speed: Wind Zone 1
2. Maximum Roof Load: 30psf
3. Seismic Design Category: C
4. Max Sidewall Overhang: 6"

Perimeter blocking not Required

CLAYTON WAKARUSA
 Div. of CMH Manufacturing West Inc.
 66700 STATE ROAD 19 P.O. BOX 406
 WAKARUSA, INDIANA 46573

CLEAR CHOICE COLLECTION
FOUNDATION LAYOUT 20#, 30#

REVISION BOX

DRAWN BY: DCS
 DATE: 9/9/2025

2026 MODEL

7616-CC03